

ELECTRIC ACTUATED WAFER TYPE BUTTERFLY VALVE (TORK-KV.W121, EAV-800)



Butterfly Valve Details

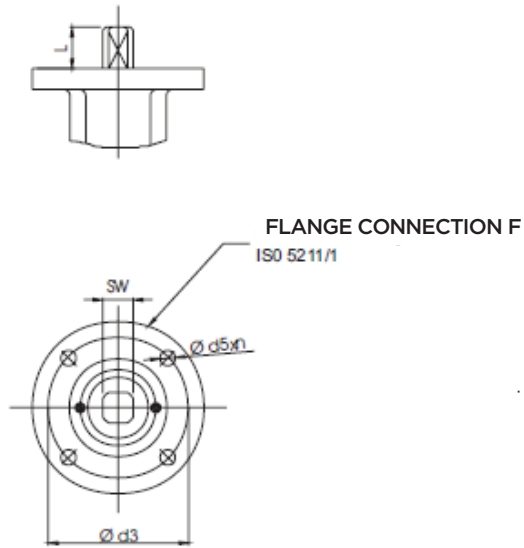
Body	: GG25 epoxy coated
Disc	: 316SS
Working Pressure	: PN 6, PN 10, PN 16
Flange Connection	: PN 6, PN 10, PN 16
Cover Flange	: ISO 5211
Norm	: EN 558-1/20
Test Standard	: EN 12266-1
Valve Type	: Wafer Type
Way	: 2/2
Size	: DN50..DN300
Applications	: • Liquid flow control • For purpose of drain and stopper at the end of the line • Treatment plants
Sealing	: NBR, EPDM, Viton, Silicon

Electric Actuator Details

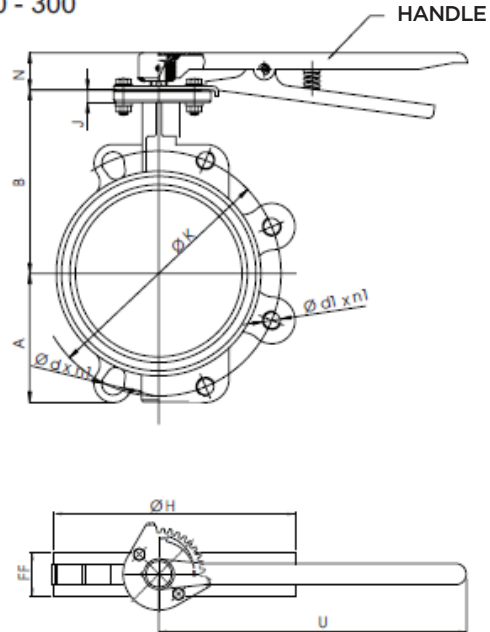
Type	: On-off, on request proportional (Except TREA40)
Protection Class	: IP67, on request IP68
ATEX Protection Class	: II 2G Ex db IIC T4 GB (on request)
Dehumidification	: 5 W Heater Against Humidity
Working Voltage	: 220VAC, 24VDC, 380VAC (Only On-Off position and from TREA150)
Working Temperature	: -20°C...+70°C (-50°C...80°C)
Torque Range	: 40Nm...1200 Nm
Body	: Aluminium Extrusion
Valve Connection	: Suitable for specified connection dimensions of ISO 5211
Position Indicator	: Open / Close
Alternative Operation	: Manual Handle or on Pcb
On Request Annexes	: Potentiometer Annexes, Current Up to Position Output Annex (4...20 mA), Chargeable Battery Unit, LCU, Flame Proof

► BUTTERFLY VALVE SIZES

DN 50 - 300



DN 50 - 300

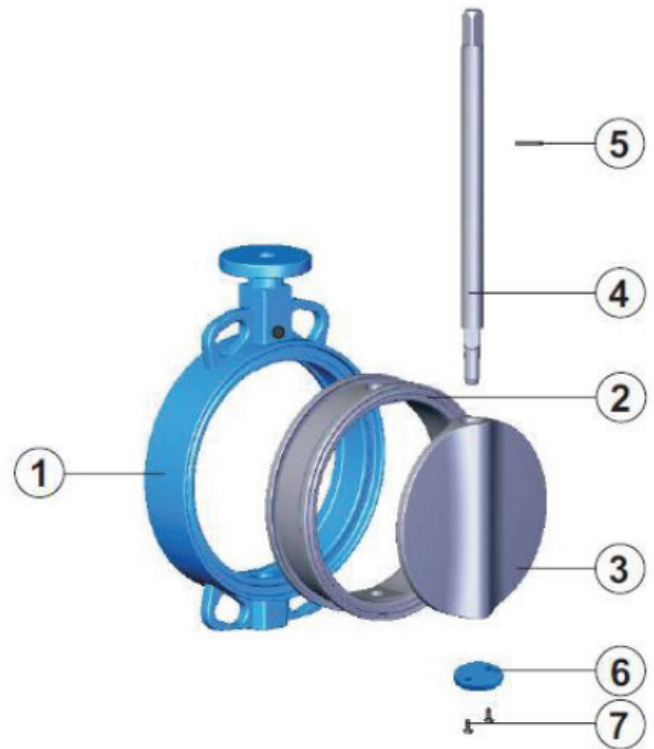
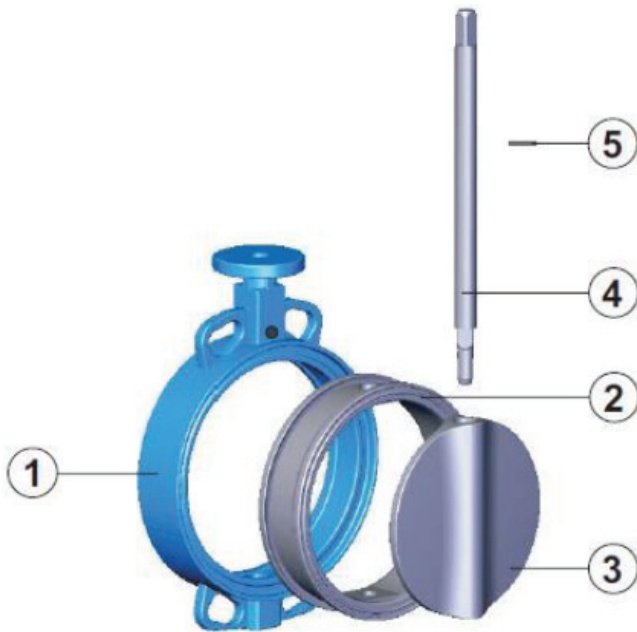


DN	A	B	FF	Ø H	J	M	N	U	W	Ø T	F	Ø d5xn	SW	L	Ø d3	PN 10				PN 16			
																Ø K	Ø d	Ø d1	n1	Ø K	Ø d	Ø d1	n1
Ø 50	61	108	43	160	10	45	37	220	159	200	05	7x4	9	20	50	123	Ø 18	M 16	4	125	Ø 18	M 16	4
Ø 65	67	127	46	180	10	45	37	220	159	200	05	7x4	11	20	50	145	Ø 18	M 16	4	145	Ø 18	M 16	4
Ø 80	85	132	46	192	10	45	37	220	159	200	05	7x4	14	20	50	160	Ø 18	M 16	8	160	Ø 18	M 16	8
Ø 100	93	155	52	212	10	45	37	220	159	200	05	7x4	14	20	50	180	Ø 18	M 16	8	180	Ø 18	M 16	8
Ø 125	110	158	56	242	10	45	37	220	159	200	05	7x4	14	20	50	210	Ø 18	M 16	8	210	Ø 18	M 16	8
Ø 150	121	185	56	278	14	45	37	220	159	200	07	9x4	17	22	70	240	Ø 22	M 20	8	240	Ø 22	M 20	8
Ø 200	161	213	60	328	14	45	37	220	159	200	07	9x4	17	22	70	295	Ø 22	M 20	8	295	Ø 22	M 20	12
Ø 250	198	245	68	395	14	60	47	390	238	260	07	9x4	22	32	70	350	Ø 22	M 20	12	355	Ø 26	M 24	12
Ø 300	220	282	78	450	15	60	47	390	238	260	10	11x4	22	32	102	400	Ø 22	M 20	12	410	Ø 26	M 24	12

Butterfly Valve Code : Tork-KV.W121

Electric Actuated Butterfly Valve : EAV-800

► BUTTERFLY VALVE MATERIAL



Ø 50 - 200

P. NO	PART NAME	MATERIAL TYPE
1	Body	GG25 Grey Cast Epoxy Coated
2	Seat	EPDM, NBR
3	Disc	AISI 316, GGG5 Ductile Iron Rilsan Coated
4	Shaft	AISI 420
5	Set screw	8.8

Ø 250 - 300

P. NO	PART NAME	MATERIAL TYPE
1	Body	GG25 Grey Cast Epoxy Coated
2	Seat	EPDM, NBR
3	Disc	AISI 316, GGG5 Ductile Iron Rilsan Coated
4	Shaft	AISI 420
5	Set screw	8.8
4	Bottom cap	1.0037
5	Screw	8.8