

# PNEUMATIC ACTUATED BUTTERFLY VALVE

(TORK-KV.L1140, PAV-803.DA/SR)



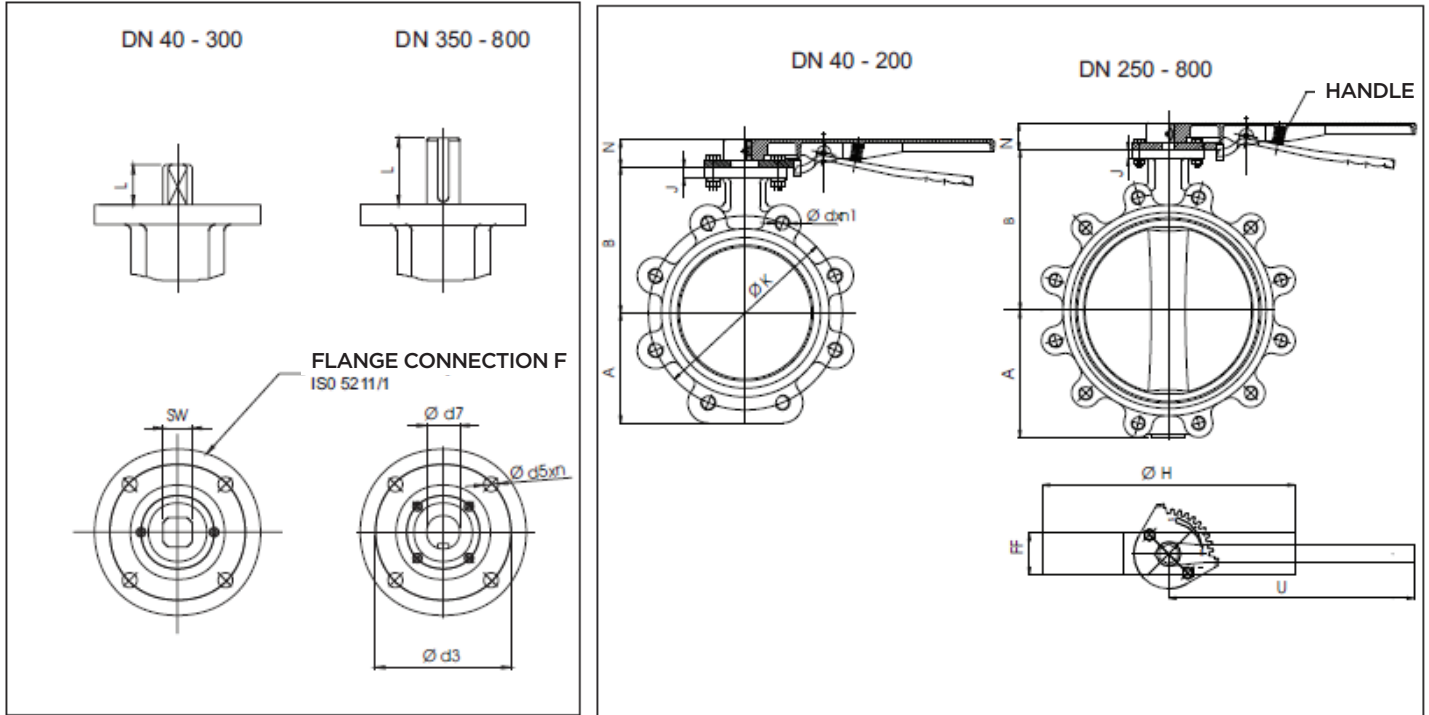
## Butterfly Valve Details

Body	: GG25 Casting/ GGG50 Ductile Iron
Disc	: 316SS
Material	: Casting
Working Pressure	: PN6, PN10, PN 16
Flange Connection	: PN 6, PN 10, PN 16, ANSI CL150
Cover Flange	: ISO 5211
Norm	: EN 558-1/20
Test Standard	: EN 12266-1
Valve Type	: Lug
Way	: 2/2
Size	: DN40...DN800
Applications	: • Liquid flow control • For purpose of drain and stopper at the end of the line • Treatment plants
Conta	: NBR, EPDM, Viton, Silicon

## Pneumatic Actuator Details

Type	: Single acting, Double Acting
Position	: 2 Positions, 3 Positions
Angle of Rotation	: 90°, 120°, 180°
Protection Class	: P65, IP68
ATEX Protection Class	: II 2GDc T4
Working Pressure	: 4...8 Bar
Working Temperature	: -10°C...+80°C (-50°C...80°C)
Torque Range	: 9Nm...5162 Nm
Body	: Aluminium Extrusion
Strok Adjustment	: ± 5°
Accessories	: Switch Box, Namur Valve, Positioner,
Manual Override	
Fluid Control	: On/Off, Proportional
Valve Connection	: ISO 5211
Accessories Connections	: Namur standards

## ► BUTTERFLY VALVE SIZES



Butterfly Valve Code

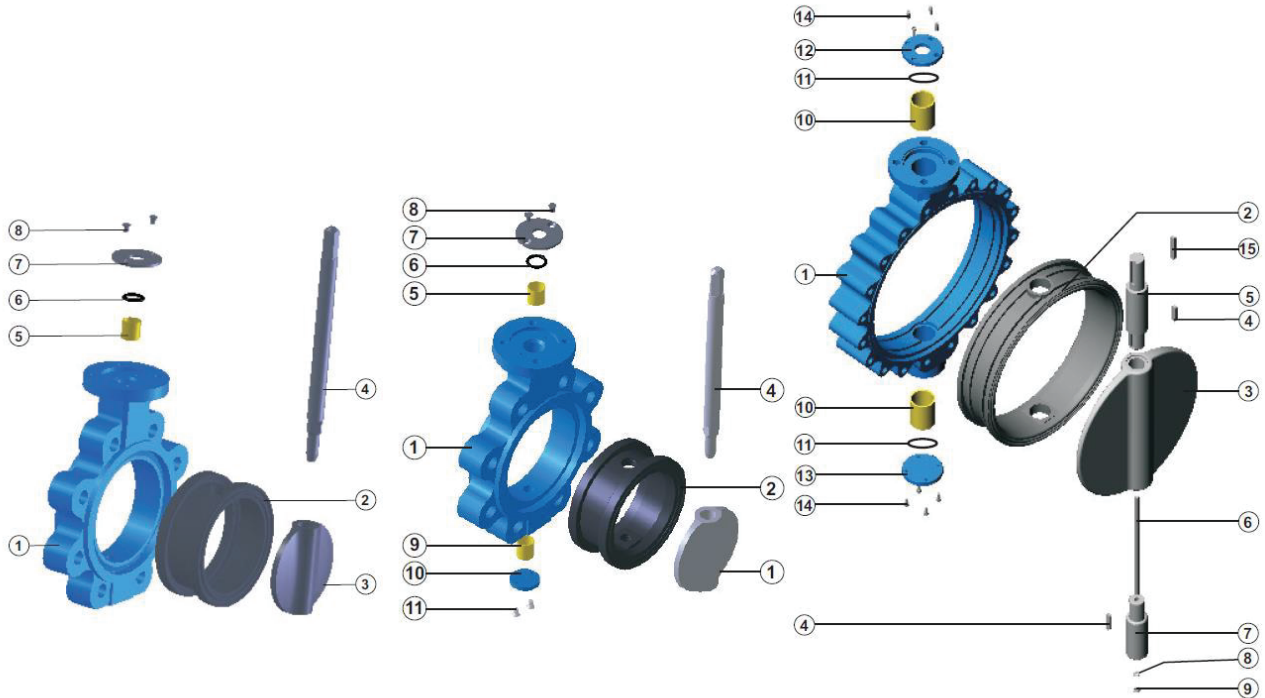
: Tork-KV.L1140

Double Acting Actuated Butterfly Valve Code : PAV-803.DA

Single Acting Actuated Butterfly Valve Code : PAV-803.SR

DN	A	B	FF	Ø H	J	M	N	U	W	Ø T	F	Ø d5xn	SW	Ø d7	L	Ø d3	PN 10			PN 16		
																	Ø K	Ø d	n1	Ø K	Ø d	n1
Ø 40	61	96	40	118	13	50	37	220	159	200	05	7x4	9	20	50	110	M 16	4	110	M 16	4	
Ø 50	67	108	43	130	13	50	37	220	159	200	05	7x4	9	20	50	125	M 16	4	125	M 16	4	
Ø 65	75	127	46	154	13	50	37	220	159	200	07	9x4	11	20	70	145	M 16	4	145	M 16	4	
Ø 80	96	132	46	188	14	50	37	260	159	200	07	9x4	14	20	70	160	M 16	8	160	M 16	8	
Ø 100	111	155	52	218	14	50	37	260	159	200	07	9x4	14	20	70	180	M 16	8	180	M 16	8	
Ø 125	123	158	56	234	14	50	37	260	159	200	07	9x4	14	20	70	210	M 16	8	210	M 16	8	
Ø 150	134	185	56	268	14	50	37	350	159	200	07	9x4	17	22	70	240	M 20	8	240	M 20	8	
Ø 200	164	213	60	317	15	50	37	350	159	200	07	9x4	17	22	70	295	M 20	8	295	M 20	12	
Ø 250	202	245	68	393	15	75	47	400	238	260	10	11x4	22	32	102	350	M 20	12	355	M 24	12	
Ø 300	239	282	77	446	15	75	47	400	238	260	10	11x4	27	32	102	400	M 20	12	410	M 24	12	
Ø 350	300	318	78/92	513	28	102	-	-	315	400	14	17.5x4	Ø 36	75	140	460	M 20	16	470	M 24	16	
Ø 400	326	362	102	570	28	102	-	-	315	400	14	17.5x4	Ø 36	75	140	515	M 24	16	525	M 27	16	
Ø 450	364	410	114	632	26	102	-	-	315	400	16	22x4	Ø 45	92	165	565	M 24	20	585	M 27	20	
Ø 500	408	435	127	667	26	102	-	-	315	550	16	22x4	Ø 45	92	165	620	M 24	20	650	M 30	20	
Ø 600	482	519	154	768	26	102	-	-	315	600	16	22x4	Ø 60	92	165	725	M 27	20	770	M 33	20	
Ø 700	543	548	165	900	30	135	-	-	414	700	25	18x8	Ø 68	118	254	840	M 27	24	840	M 33	24	
Ø 800	587	587	180/190	1016	30	135	-	-	414	800	25	18x8	Ø 80	118	254	950	M 30	24	950	M 36	24	

## ► BUTTERFLY VALVE MATERIAL



### Ø 40 - 200

P. NO	PART NAME	MATERIAL TYPE
1	Body	GG 25, GGG 40-50, GGG 40.3, Al-Bz AISI 316, GS-C25
2	Seat	EPDM, NBR, Viton, Hypalon, Neopren, NR, Silicon
3	Disc	AISI 316, Al-Bz, GGG 40-50, GS - C25, UB 6
4	Shaft	AISI 304, AISI 316, AISI 420
5	Bearing	SB (Carbon Steel + PTFE)
6	O-Ring	NBR
7	Stamp	St - 37, A-2
8	Screw	8.8, A-2

O-ring

### Ø 350 - 800

P. NO	PART NAME	MATERIAL TYPE
1	Body	GG 25, GGG 40-50, GGG 40.3, Al-Bz AISI 316, GS-C25
2	Seat	EPDM, NBR, Viton, Hypalon, Neopren, NR, Silicon
3	Disc	AISI 316, Al-Bz, GGG 40-50, GS - C25, UB 6
4	Key	C 45 k
5	Upper Shaft	AISI 304, AISI 316, AISI 420
6	Middle Shaft	AISI 304, AISI 316, AISI 420
7	Bottom Shaft	AISI 304, AISI 316, AISI 420
8	Stamp	St - 37, A-2
9	Nut	6.8, A-2
10	Bearing	SB (Carbon Steel + PTFE)
11	O-Ring	EPDM, NBR
12	Upper cap	C 45
13	Bottom Cap	C 45
14	Screw	8.8, A-2
15	Key	C 45 k

### Ø 250 - 300

P. NO	PART NAME	MATERIAL TYPE
1	Body	GG 25, GGG 40-50, GGG 40.3, Al-Bz AISI 316, GS-C25
2	Seat	EPDM, NBR, Viton, Hypalon, Neopren, NR, Silicon
3	Disc	AISI 316, Al-Bz, GGG 40-50, GS - C25, UB 6
4	Shaft	AISI 304, AISI 316, AISI 420
5	Bearing	SB (Carbon Steel + PTFE)
6	O-Ring	NBR
7	Stamp	St - 37, A-2
8	Screw	8.8, A-2
9	Bearing	SB (Carbon Steel + PTFE )
10	Bottom Cap	St - 37
11	Screw	8.8, A-2

Valve				Pneumatic Single Acting Actuator Bracket			Pneumatic Double Acting Actuator Bracket			Pneumatic Single Acting Actuator Bracket	Pneumatic Double Acting Actuator Bracket
Valve Size	Valve Sealing	Valve Shaft Square	Flange Connection	Model	Flange Connection	Shaft Square	Model	Flange Connection	Shaft Square		
DN 32	EPDM Sealing	9	50	60	50/70	9	40	36/50	9	No	No
DN 40	EPDM Sealing	9	50	60	50/70	9	40	36/50	9	No	No
DN 50	EPDM Sealing	9	50	60	50/70	9	40	36/50	9	No	No
DN 65	EPDM Sealing	11	70	60	50/70	11	60	50/70	11	No	No
DN 80	EPDM Sealing	11	70	80	50/70	11	60	50/70	11	No	No
DN 100	EPDM Sealing	14	70	80	50/70	14	60	50/70	14	No	No
DN 125	EPDM Sealing	14	70	100	70/102	14	80	50/70	14	No	No
DN 150	EPDM Sealing	17	70	100	70/102	17	80	50/70	17	No	No
DN 200	EPDM Sealing	17	70	120	70/102	17	100	70/102	17	No	No
DN 250	EPDM Sealing	22	102	143	102/140	22	120	70/102	22	No	No
DN 300	EPDM Sealing	27	102	160	102/140	27	143	102/140	27	No	No
DN 350	EPDM Sealing	27	140	200	140	27	160	102/140	27	No	No
DN 400	EPDM Sealing	27	140	200	140	27	160	102/140	27	No	No
DN 450	EPDM Sealing	36	165	270	165	36	200	165	36	No	No
DN 500	EPDM Sealing	36	165	270	165	36	200	165	36	No	No