



PNEUMATIC ACTUATED BUTTERFLY VALVE

(TORK-KV.W121, PAV-800.DA/SR)



Butterfly Valve Details

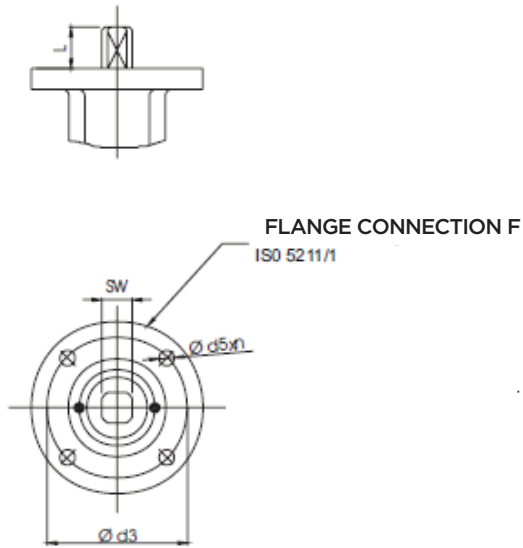
Body	: GG25 epoxy coated
Disc	: 316SS
Working Pressure	: PN 6, PN 10, PN 16
Flange Connection	: PN 6, PN 10, PN 16
Cover Flange	: ISO 5211
Norm	: EN 558-1/20
Test Standard	: EN 12266-1
Valve Type	: Wafer Type
Way	: 2/2
Size	: DN50...DN300
Applications	: • Liquid flow control • For purpose of drain and stopper at the end of the line • Treatment plants
Sealing	: NBR, EPDM, Viton, Silicon

Pneumatic Actuator Details

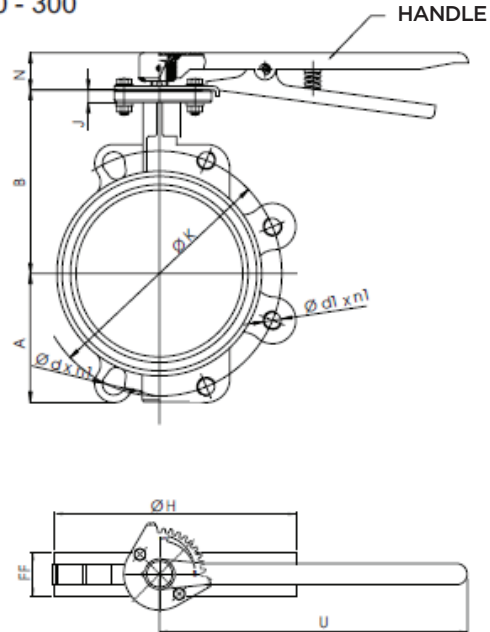
Type	: Single acting, Double Acting
Position	: 2 Positions, 3 Positions
Angle of Rotation	: 90°, 120°, 180°
Protection Class	: IP65, IP68
ATEX Protection Class	: II 2GDc T4
Working Pressure	: 4...8 Bar
Working Temperature	: -10°C...+80°C (-50°C...80°C)
Torque Range	: 9Nm...5162 Nm
Body	: Aluminium Extrusion
Strok Adjustment	: ± 5°
Accessories	: Switch Box, Namur Valve, Positioner, Manual Override
Fluid Control	: On/Off, Proportional
Valve Connection	: ISO 5211
Accessories Connections	: Namur standards

► BUTTERFLY VALVE SIZES

DN 50 - 300



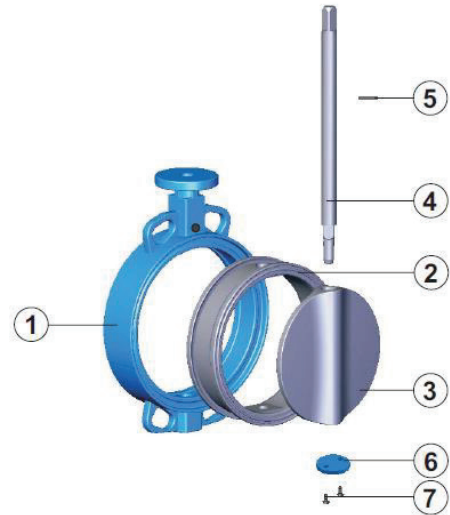
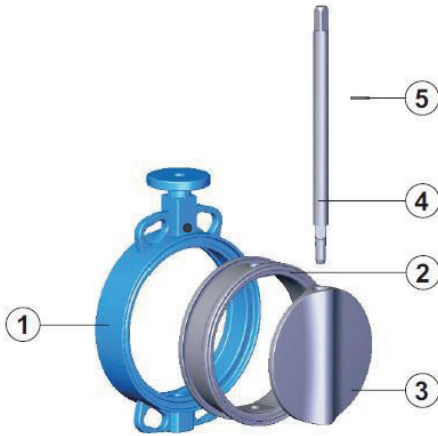
DN 50 - 300



Butterfly Valve Code : Tork-KV.W121
 Double Acting Actuated Butterfly Valve Code : PAV-800.DA
 Single Acting Actuated Butterfly Valve Code : PAV-800.SR

DN	A	B	FF	Ø H	J	M	N	U	W	Ø T	F	Ø d5x1	SW	L	Ø d3	PN 10				PN 16			
																Ø K	Ø d	Ø d1	n1	Ø K	Ø d	Ø d1	n1
Ø 50	61	108	43	160	10	45	37	220	159	200	05	7x4	9	20	50	123	Ø 18	M 16	4	125	Ø 18	M 16	4
Ø 65	67	127	46	180	10	45	37	220	159	200	05	7x4	11	20	50	145	Ø 18	M 16	4	145	Ø 18	M 16	4
Ø 80	85	132	46	192	10	45	37	220	159	200	05	7x4	14	20	50	160	Ø 18	M 16	8	160	Ø 18	M 16	8
Ø 100	93	155	52	212	10	45	37	220	159	200	05	7x4	14	20	50	180	Ø 18	M 16	8	180	Ø 18	M 16	8
Ø 125	110	158	56	242	10	45	37	220	159	200	05	7x4	14	20	50	210	Ø 18	M 16	8	210	Ø 18	M 16	8
Ø 150	121	185	56	278	14	45	37	220	159	200	07	9x4	17	22	70	240	Ø 22	M 20	8	240	Ø 22	M 20	8
Ø 200	161	213	60	328	14	45	37	220	159	200	07	9x4	17	22	70	295	Ø 22	M 20	8	295	Ø 22	M 20	12
Ø 250	198	245	68	395	14	60	47	390	238	260	07	9x4	22	32	70	350	Ø 22	M 20	12	355	Ø 26	M 24	12
Ø 300	220	282	78	450	15	60	47	390	238	260	10	11x4	22	32	102	400	Ø 22	M 20	12	410	Ø 26	M 24	12

▶ BUTTERFLY VALVE MATERIAL



P. NO	PART NAME	MATERIAL TYPE
1	Body	GG25 Grey Cast Epoxy Coated
2	Seat	EPDM, NBR
3	Disc	AISI 316, GGG5 Ductile Iron Rilsan Coated
4	Shaft	AISI 420
5	Set screw	8.8

P. NO	PART NAME	MATERIAL TYPE
1	Body	GG25 Grey Cast Epoxy Coated
2	Seat	EPDM, NBR
3	Disc	AISI 316, GGG5 Ductile Iron Rilsan Coated
4	Shaft	AISI 420
5	Set screw	8.8
4	Bottom cap	1.0037
5	Screw	8.8

Valve				Pneumatic Single Acting Actuator Bracket			Pneumatic Double Acting Actuator Bracket			Pneumatic Single Acting Actuator Bracket	Pneumatic Double Acting Actuator Bracket
Valve Size	Valve Sealing	Valve Shaft Square	Flange Connection	Model	Flange Connection	Shaft Square	Model	Flange Connection	Shaft Square		
DN 50	EPDM Sealing	9	50	60	50/70	9	40	36/50	9	No	No
DN 65	EPDM Sealing	11	50	60	50/70	11	60	50/70	11	No	No
DN 80	EPDM Sealing	11	50	80	50/70	11	60	50/70	11	No	No
DN 100	EPDM Sealing	14	50	80	50/70	14	60	50/70	14	No	No
DN 125	EPDM Sealing	14	50	100	70/102	14	80	50/70	14	Medium	No
DN 150	EPDM Sealing	17	70	120	70/102	17	80	50/70	17	No	No
DN 200	EPDM Sealing	17	70	120	70/102	17	100	70/102	17	No	No
DN 250	EPDM Sealing	22	70	143	102/140	22	120	70/102	22	Large	No
DN 300	EPDM Sealing	27	102	160	102/140	27	143	102/140	27	No	No
DN 350	EPDM Sealing	27	140	200	140	27	160	102/140	27	No	No
DN 400	EPDM Sealing	27	140	200	140	27	160	102/140	27	No	No
DN 450	EPDM Sealing	36	165	270	165	36	200	165	36	No	No
DN 500	EPDM Sealing	36	165	270	165	36	200	165	36	No	No