

1120 WAFLER TYPE BUTTERFLY VALVE

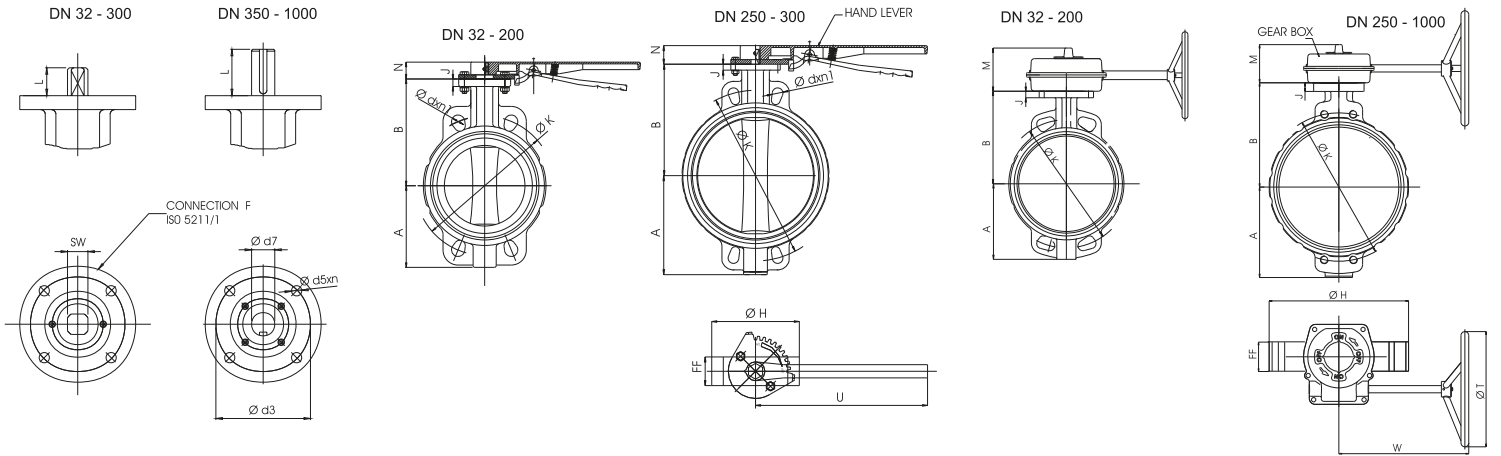
Type 1120 is a concentric butterfly valve and can be used for any general applications and is a semilug valve with 4 holes.

Asteknik Valve Type: 1120
Valve Type : Wafer Butterfly valve
DN/ANSI : DN 40 - DN 1000 1/2" - 40"
Working Pressure : PN 6, PN 10
Flange Connection : PN 6, PN 10, PN 16, ANSI CL 150, JIS 5K (DN 50-DN 300)
Top Flange : ISO 5211
Marking : EN 19
Face-to-Face : EN 558-1/20
Test Standard : EN 12266-1

Please contact us for other sizes, pressures and flange connections.

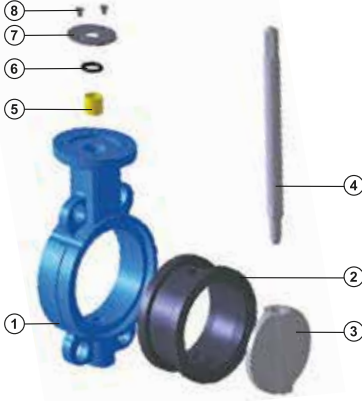


Wafer Butterfly valve dimensional drawing

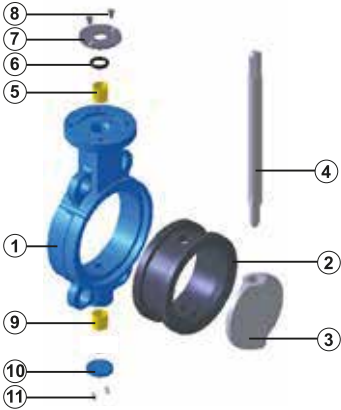


DN	A	B	FF	Ø H	J	M	N	U	W	Ø T	F	Ød5xn	SW Ø d7	L	Ø d3	PN 10		PN 16		FREE SHAFT		GEAR BOX							
																Ø K	Ø d	n1	Ø K	Ø d	n1	Weight (kg)	Type	Weight (kg)	Type	Weight (kg)	Type	Weight (kg)	
Ø 32	62	96	40	87	13	50	37	220	159	200	05	7x4	□ 9	20	50	100	Ø 18	4	100	Ø 18	4	2.4	92-150	AST-20		AST-20			
Ø 40	62	96	40	87	13	50	37	220	159	200	05	7x4	□ 9	20	50	110	Ø 18	4	110	Ø 18	4	2.4	92-150	AST-20		AST-20			
Ø 50	67	108	43	100	13	50	37	220	159	200	05	7x4	□ 9	20	50	125	Ø 18	4	125	Ø 18	4	2.5	92-150	AST-20		AST-20			
Ø 65	80	127	46	123	13	50	37	220	159	200	07	9x4	□ 11	20	70	145	Ø 18	4	145	Ø 18	4	3.8	92-150	AST-20		AST-20			
Ø 80	99	132	46	137	14	50	37	260	159	200	07	9x4	□ 14	20	70	160	Ø 18	8	160	Ø 18	8	4.1	92-200	AST-20		AST-20			
Ø 100	110	155	52	156	14	50	37	260	159	200	07	9x4	□ 14	20	70	180	Ø 18	8	180	Ø 18	8	5.3	92-200	AST-20		AST-20			
Ø 125	123	158	56	187	14	50	37	260	159	200	07	9x4	□ 14	20	70	210	Ø 18	8	210	Ø 18	8	6.5	92-200	AST-20		AST-20			
Ø 150	141	185	56	212	14	50	37	350	159	200	07	9x4	□ 17	22	70	240	Ø 22	8	240	Ø 22	8	8.0	92-300	AST-20		AST-20			
Ø 200	174	213	60	265	15	50	37	350	159	200	07	9x4	□ 17	22	70	295	Ø 22	8	295	Ø 22	12	12.5	92-300	AST-20		AST-20			
Ø 250	208	245	68	319	15	75	47	400	238	260	10	11x4	□ 22	32	102	350	Ø 22	12	355	Ø 26	12	20.5	92-400	AST-30		AST-30			
Ø 300	250	282	78	372	15	75	47	400	238	260	10	11x4	□ 27	32	102	400	Ø 22	12	410	Ø 26	12	30.0	92-400	AST-30		AST-30			
Ø 350	300	318	78 / 92	436	28	102	-	-	315	400	14	17.5x4	Ø 36	75	140	460	M 20	16	470	M 24	16	52.0	-	-	AST-40	AST-40		AST-40	
Ø 400	326	362	102	492	28	102	-	-	315	400	14	17.5x4	Ø 36	75	140	515	M 24	16	525	M 27	16	80.0	-	-	AST-40	AST-40		AST-40	
Ø 450	365	410	114	540	26	102	-	-	315	400	16	22x4	Ø 45	92	165	565	M 24	20	585	M 27	20	102.0	-	-	AST-60	AST-60		AST-60	
Ø 500	408	435	127	600	26	102	-	-	315	550	16	22x4	Ø 45	92	165	620	M 24	20	650	M 30	20	128.0	-	-	AST-60	AST-60		AST-60	
Ø 600	482	519	154	700	26	102	-	-	315	600	16	22x4	Ø 60	92	165	725	M 27	20	770	M 33	20	190.0	-	-	AST-80	32,660		AB1950NHR 45,000	
Ø 700	543	548	165	775	30	135	-	-	414	700	25	18x8	Ø 68	118	254	840	M 27	24	840	M 33	24	235.0	-	-	AB1950NHR	45,000		AB6800NLT/SP4 70,000	
Ø 800	587	587	180 / 190	885	30	135	-	-	414	800	25	18x8	Ø 80	118	254	950	M 30	24	950	M 36	24	362.0	-	-	AB6800NLT/SP4	70,000		AB6800NLT/SP4 70,000	
Ø 900	655	661	190 / 203	1010	35	225	-	-	525	550	30	22x8	Ø 80	200	298	1050	M 30	28	1050	M 36	28	513.0	-	-	AB6800N/SP4	70,000		AB6800N/SP6 81,000	
Ø 1000	735	725	216	1110	35	225	-	-	525	550	30	22x8	Ø 100	200	298	1160	M 33	28	1170	M 39	28	660.0	-	-	AB6800N/SP6	81,000		A250N/SP9 225,000	

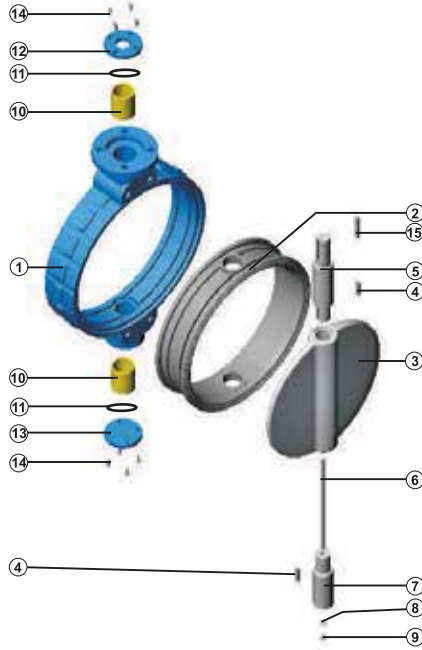
Wafer Butterfly valve



Ø 40 - 200



Ø 250 - 300



Ø 350 - 1000



1120 G



1120 HL

Subject to change without notice,
Please contact us for other sizes and materials.

Parts List & Material Specification

Ø 40 - 200

P.NO	PART NAME	MATERIAL
1	Body	GG 25, GGG 40-50, GGG 40.3, Al-Bz AISI 316, GS-C25
2	Body seat	EPDM, NBR, Viton, Hypalon Neopren, NR, Silicone
3	Disc	AISI 316, Al-Bz, GGG 40-50, GS-C25, UB 6
4	Stem	AISI 304, AISI 316, AISI 420
5	Bearing	SB (Carbon Steel + PTFE)
6	O-Ring	NBR
7	Washer	St-37, A-2
8	Bolt	8.8, A-2

Ø 250 - 300

P.NO	PART NAME	MATERIAL
1	Body	GG 25, GGG 40-50, GGG 40.3, Al-Bz AISI 316, GS-C25
2	Body seat	EPDM, NBR, Viton, Hypalon Neopren, NR, Silicone
3	Disc	AISI 316, Al-Bz, GGG 40-50, GS-C25, UB 6
4	Stem	AISI 304, AISI 316, AISI 420
5	Bearing	SB (Carbon Steel + PTFE)
6	O-Ring	NBR
7	Washer	St-37, A-2
8	Bolt	8.8, A-2
9	Bearing	SB (Carbon Steel + PTFE)
10	Lower Cover	St-37
11	Bolt	8.8, A-2

Ø 350 - 1000

P.NO	PART NAME	MATERIAL
1	Body	GG 25, GGG 40-50, GGG 40.3, Al-Bz, AISI 316, GS-C25
2	Body seat	EPDM, NBR, Viton, Hypalon, Neopren, NR, Silicone
3	Disc	AISI 316, Al-Bz, GGG 40-50, GS-C25, UB 6
4	Key	C 45 k
5	Upper stem	AISI 304, AISI 316, AISI 420
6	Connecting stud	AISI 304, AISI 316, AISI 420
7	Lower stem	AISI 304, AISI 316, AISI 420
8	Washer	St-37, A-2
9	Nut	6.8, A-2
10	Bearing	SB (Carbon Steel + PTFE)
11	O-ring	EPDM, NBR
12	Upper cover	C 45
13	Lower cover	C 45
14	Bolt	8.8, A-2
15	Key	C 45 k