

Lug Type (Threaded) Butterfly Valve 1140 Series

Butterfly Valve / 1140

1140 Lug type threaded holes butterfly valve is used in all general applications and it can be used as a stopper and tap for discharging at the end of lines. As a difference from wafer type 1120, it provides installation convenience to the line or easy uninstillation of the line behind the valve with its threaded lugs.

Technical Features

Valve Type	: Lug type (threaded) butterfly valve
DN/NPS	: DN 40 - DN 800 (1½" - 32")
Working Pressure	: PN 6, PN 10
Flange Connection	: PN 6, PN 10, PN 16
Top Flange	: ISO 5211
Label	: EN 19
Norm	: EN 558-1/20
Test Standard	: EN 12266-1

**For different sizes and pressures, please contact us.



1140 G

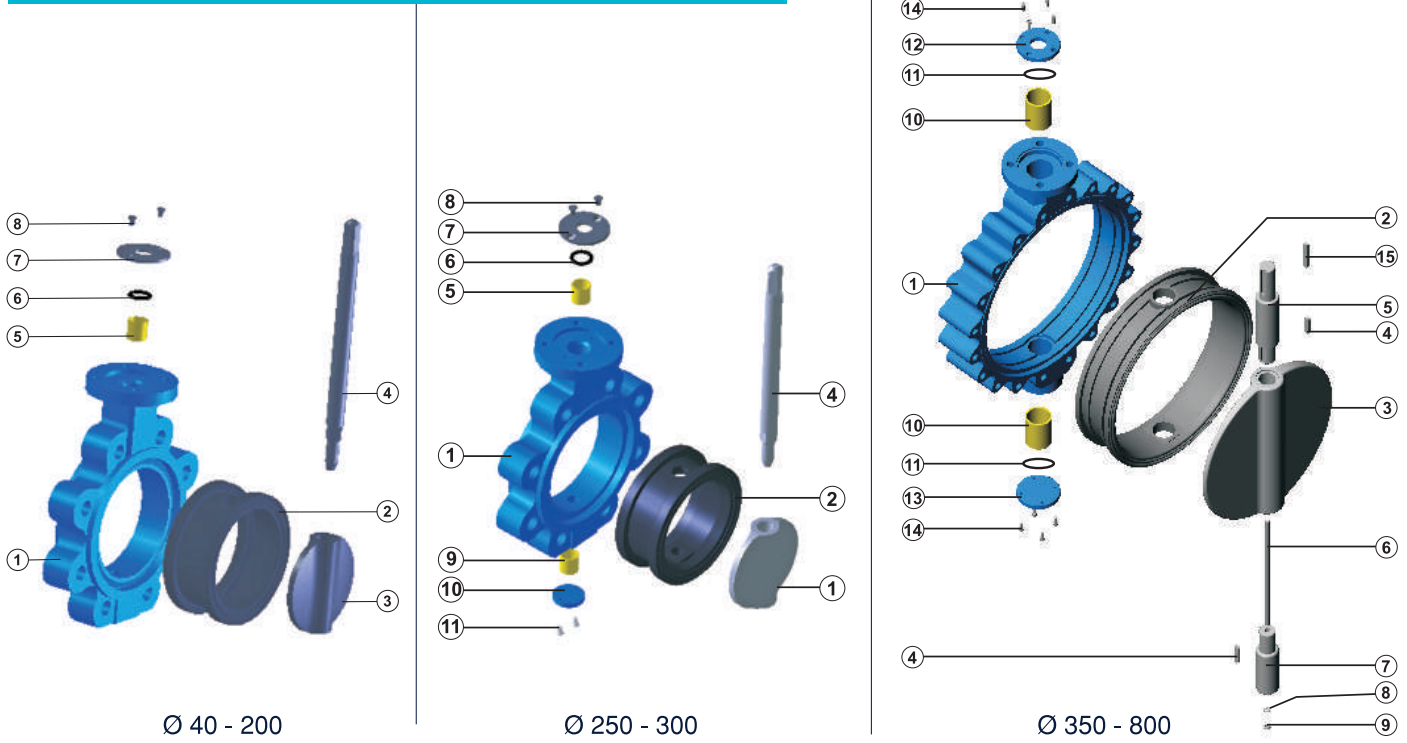


1140 G



1140 PN+SB+Nv

Lug Type (Threaded) Butterfly Valve 1140 Series



Our company reserves the right to make changes in the dimensions.
Please call us for other dimensions and material types.

Part and Material List

Ø 40 - 200

P.NO	PART NO	MATERIAL
1	Body	GG 25, GGG 40-50, GGG 40.3, Al-Bz AISI 316, GS-C25
2	Body Seat	EPDM, NBR, Viton, Hypalon, Neopren, NR, Silicon
3	Disc	AISI 316, Al-Bz, GGG 40-50, GS-C25, UB 6
4	Shaft	AISI 304, AISI 316, AISI 420
5	Bearing	SB (Carbon Steel+PTFE)
6	O-ring	NBR
7	Stamp	St-37, A-2
8	Bolt	8.8, A-2

Ø 250 - 300

P.NO	PART NO	MATERIAL
1	Body	GG 25, GGG 40-50, GGG 40.3, Al-Bz AISI 316, GS-C25
2	Body Seat	EPDM, NBR, Viton, Hypalon, Neopren, NR, Silicon
3	Disc	AISI 316, Al-Bz, GGG 40-50, GS-C25, UB 6
4	Shaft	AISI 304, AISI 316, AISI 420
5	Bearing	SB (Carbon Steel+PTFE)
6	O-ring	NBR
7	Stamp	St-37, A-2
8	Bolt	8.8, A-2
9	Bearing	SB (Carbon Steel+PTFE)
10	Bottom Cover	St-37
11	Bolt	8.8, A-2

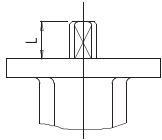
Ø 350 - 800

P.NO	PART NO	MATERIAL
1	Body	GG 25, GGG 40-50, GGG 40.3, Al Bz, AISI 316, GS-C25
2	Body Seat	EPDM, NBR, Viton, Hypalon, Neopren, NR, Silicon
3	Disc	AISI 316, Al-Bz, GGG 40-50, GS-C25, UB 6
4	Key	C 45 k
5	Upper Stem	AISI 304, AISI 316, AISI 420
6	Con/ Stud	AISI 304, AISI 316, AISI 420
7	Lower Stem	AISI 304, AISI 316, AISI 420
8	Washer	St-37, A-2
9	Nut	6.8, A-2
10	Bearing	SB (Carbon Steel+PTFE)
11	O-ring	EPDM, NBR
12	Upper Cover	C 45
13	Lower Cover	C 45
14	Bolt	8.8, A-2
15	Key	C 45 k

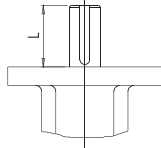
Lug Type (Threaded) Butterfly Valve 1140 Series

Size List

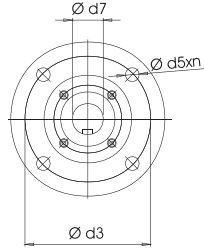
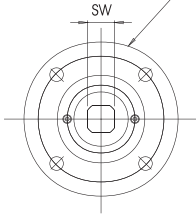
DN40 - 300



DN350 - 800

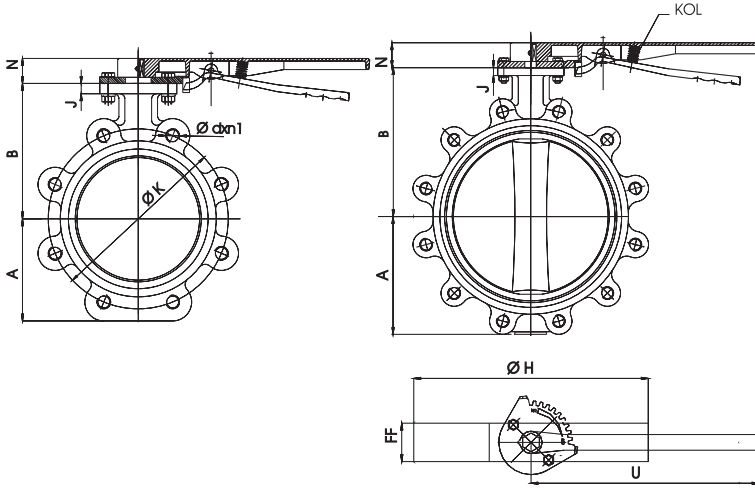


CONNECTION FLANGE F
ISO 5211/1



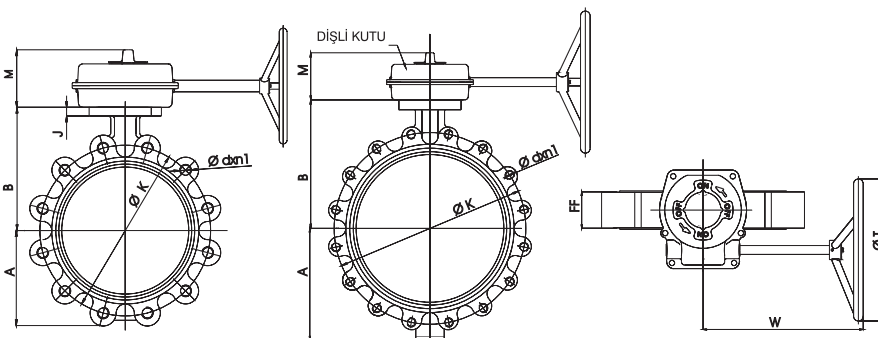
DN40 - 200

DN250 - 800



DN40 - 200

DN250 - 800



DN	A	B	Ø H	J	M	N	U	W	Ø T	F	F	Ø d5xn	L	Ø d3	PN 10		PN 16		FREE SHAFT WEIGHT(kg)	LEVER		GEAR BOX		PN 16			
															Ø K	Ø d	Ø K	Ø d		Type	Weight (kg)	Type	Weight(kg)		Type	Weight (kg)	
Ø 40	61	96	40	118	13	50	37	220	159	200	05	7x4	9	20	50	110	M 16	4	110	M 16	4	92-150	3.5	AST-20	AST-20	2,900	2,900
Ø 50	67	108	43	130	13	50	37	220	159	200	05	7x4	9	20	50	125	M 16	4	125	M 16	4	92-150	4.0	AST-20	AST-20	2,900	2,900
Ø 65	75	127	46	154	13	50	37	220	159	200	07	9x4	11	20	70	145	M 16	4	145	M 16	4	92-150	5.0	AST-20	AST-20	2,900	2,900
Ø 80	96	132	46	188	14	50	37	260	159	200	07	9x4	14	20	70	160	M 16	8	160	M 16	8	92-200	6.0	AST-20	AST-20	2,900	2,900
Ø 100	111	155	52	218	14	50	37	260	159	200	07	9x4	14	20	70	180	M 16	8	180	M 16	8	92-200	9.0	AST-20	AST-20	2,900	2,900
Ø 125	123	158	56	234	14	50	37	260	159	200	07	9x4	14	20	70	210	M 16	8	210	M 16	8	92-200	11.0	AST-20	AST-20	2,900	2,900
Ø 150	134	185	56	268	14	50	37	350	159	200	07	9x4	17	22	70	240	M 20	8	240	M 20	8	92-300	12.0	AST-20	AST-20	2,900	2,900
Ø 200	164	213	60	317	15	50	37	350	159	200	07	9x4	17	22	70	295	M 20	8	295	M 20	12	92-300	20.0	AST-20	AST-20	2,900	2,900
Ø 250	202	245	68	393	15	75	47	400	238	260	10	11x4	22	32	102	350	M 20	12	355	M 24	12	92-400	30.0	AST-30	AST-30	8,220	8,220
Ø 300	239	282	77	446	15	75	47	400	238	260	10	11x4	27	32	102	400	M 20	12	410	M 24	12	92-400	40.0	AST-30	AST-30	8,220	8,220
Ø 350	300	318	78 / 92	513	28	102	-	-	315	400	14	17.5x4	Ø 36	75	140	460	M 20	16	470	M 24	16	-	66.0	AST-40	AST-40	12,240	12,240
Ø 400	326	362	102	570	28	102	-	-	315	400	14	17.5x4	Ø 36	75	140	515	M 24	16	525	M 27	16	-	81.0	AST-40	AST-40	12,240	12,240
Ø 450	364	410	114	632	26	102	-	-	315	400	16	22x4	Ø 45	92	165	565	M 24	20	585	M 27	20	-	111.0	AST-60	AST-60	17,900	17,900
Ø 500	408	435	127	667	26	102	-	-	315	550	16	22x4	Ø 45	92	165	620	M 24	20	650	M 30	20	-	148.0	AST-60	AST-60	17,900	17,900
Ø 600	482	519	154	768	26	102	-	-	315	600	16	22x4	Ø 60	92	165	725	M 27	20	770	M 33	20	-	225.0	AST-80	AB1950NHR	32,660	32,660
Ø 700	543	548	165	900	30	135	-	-	414	700	25	18x8	Ø 68	118	254	840	M 27	24	840	M 33	24	-	323	AB1950NHR	AB6800NLT/SP4	45,000	45,000
Ø 800	587	587	180 / 190	1016	30	135	-	-	414	800	25	18x8	Ø 80	118	254	950	M 30	24	950	M 36	24	-	413	AB6800NLT/SP4	AB6800NLT/SP4	70,000	70,000