

## Electric Actuators

### TREA40 Electric Actuators Standard Features

#### General Features

- Specifically designed for ball valve, butterfly valve and dampers control.
- Long lasting, light and compact design
- Electrostatic powder coated aluminium body
- Easy installation (ISO5211 standard)
- Manual Control with handwheel
- 2 pieces output limit switches
- Valve position indicator
- 85-265 VAC or 24 VDC voltage

#### On-Off Electric Actuator (TREA 40)

<b>Body</b>	: Aluminium injection, electrostatic powder coated
<b>Torque Output Value</b>	: 40 Nm
<b>Body Enclosure</b>	: IP65 (On request IP67)
<b>Hand Control Unit</b>	: It is on the actuator body and make on/off
<b>Supply Voltage</b>	: 85-265 V AC ve 24 V DC
<b>Supply power :</b>	: 7.2 Watt, 0.3 A @24 VDC
	: 7.6 Watt, 30 mA @230 VAC
<b>Open-Close Time</b>	: 14 sn (90' turn)
<b>Motor</b>	: 24 V DC motor
<b>Environment Temperature:</b>	: -20 °C ... 60 °C
<b>Cable Connection Entry</b>	: 0.5x11C - 1 meter assembled cable
<b>Valve Connection Flange</b>	: F03/F05 (ISO5211)
<b>Limit Switches</b>	: 2x Open/Close SPDT, Max 250VAC 3A
<b>Auxiliary Limit Switches</b>	: 2x Open/Close SPDT, Max 250VAC 3A

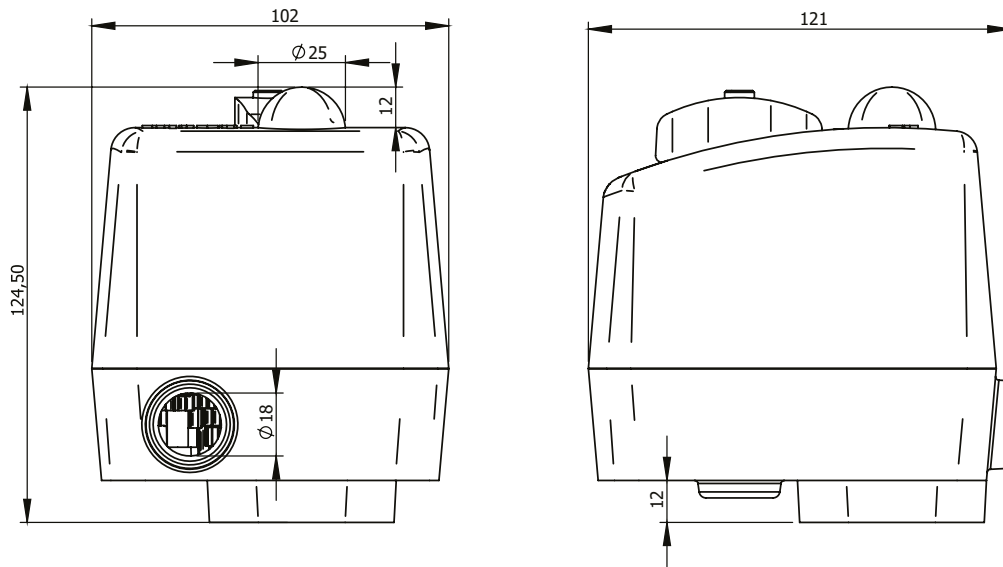


TREA 40



# Electric Actuators

## Sizes



## Product and Piece Pictures

