



TREA0150-0200
ELECTRIC ACTUATOR

GENERAL FEATURES

- Aluminum alloy, highly corrosion resistant body
- Light and robust construction
- High quality, high performance
- Electrostatic powder paint
- Manual operation with handwheel
- Control with analog signals
- Manual control over the product

TECHNICAL FEATURES

Operating Voltage:	: 110V, 230V AC 50/60Hz, 24V DC
Control Type	: On/Off control, Proportional control
Power Consumption	: 144 VA (230V AC 50/60Hz), 80W (24V DC) for TREA0150 models 150 VA (230V AC 50/60Hz), 92W (24V DC) for TREA0200 models
Operating Temperature	: -20°C and +60°C
Humidity	: 0% to 95% relative humidity
Motor	: AC reversible motor, DC brushed motor
Motor Duty Class	: S2/ 30min
Torque	: 150-200 Nm
Control Signal	: 0/4 - 20 mA, 0/2 - 10 mA, 0/2 - 10V DC, 0/1 - 5V DC
Output (feedback) Signal	: 0/4 - 20 mA, 0/2 - 10 mA, 0/2 - 10V DC, 0/1 - 5V DC
Reversible Control Signal:	: It can be adjusted with switches on the control card.
Reversible Output Signal	: It can be adjusted with switches on the control card.
Automatic Calibration:	: It can be adjusted with buttons on the control card.
Error Positions (in control signal loss)	: Stay in current position, Open valve, Close valve
Internal Heater	: 5W
Operation time	: 22 - 24 sn/ 90°
Body Protection Class	: IP67, IP68 (On Request)
Atex Protection Class	: Ex II 2G Ex IIC T4 Gb (For Atex Models)
Position Indicator	: ON/OFF position
Limit Switches	: 2x On/Off SPDT, Max. 250VAC 10A
Auxiliary Limit Switches	: 2x On/Off SPDT, Maks. 250VAC 10A
Gear Oil	: Grease
Manual Control	: With handwheel
Cable Gland Size	: G3/4"
Handwheel Diameter	: 150mm
Handwheel Clutch System	: While the transition to manual control is done manually, the transition from manual control to automatic control takes place automatically during operation.
Weight	: 15.3kg
Adjustable Working Angle	: Between 0° - 90°, ±10° adjustable angle
Position Indicator	: All positions
Manual Control Type	: With handwheel or with buttons on the control card
Protection Measures	: PST (Partial control test), valve jamming protection, overheating and low temperature protection, humidity protection, delay time protection against sudden reverse operation
Flange Hole Diameter	: F7/F10 (ISO5211)
Flange Connection Screw	: Screw : M10(Flance Diameter:102mm F10), M8(Flange Diameter:70mm F7)

OPTION

- Integrated operation with local control unit (optional)
- IP68 Protection Class (can work underwater up to 72 hours at a depth of 10 meters)
- ATEX Certified Electric Actuator (Ex II 2G Ex IIC T4 Gb)
- LCU: Local Control Unit (with LCD Display)
- Ethernet, Profinet, Modbus, Profibus



APPLICATION

• Fluid Sector

Sewage Treatment Plants, Water Treatment Plants, Drinking Water Distribution, Sewage Disposal, Desalination of Sea Water

• The industry sector

Heating Industry, Ventilation and Air Conditioning Industry, Food Industry, Ship and Submarine Shipbuilding, Chemical/Pharmaceutical Industry, Steel Mills, Cement Industry, Paper Industry, Mining

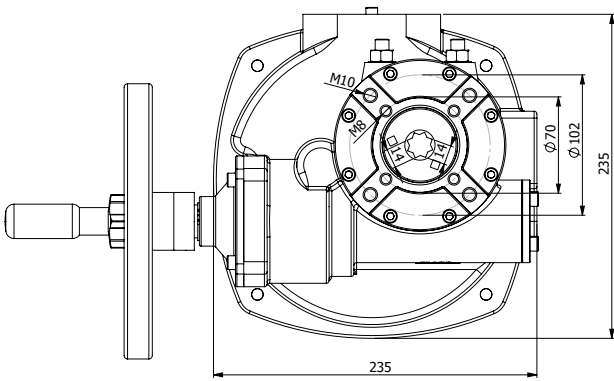
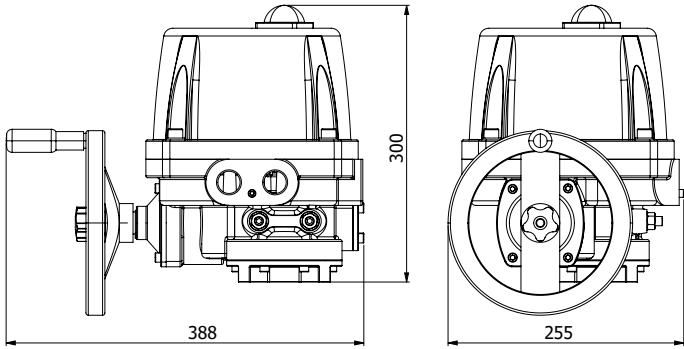
• Oil and Gas Sector

Pumping stations, Refineries, Pipelines, Platforms, Tank Farms

• Energy sector

Nuclear Power Plants, Solar Thermal Power Plants, Geothermal Power Plants, Cogeneration Power Plants, Hydroelectric Power Plants, Biogas Power Plants, Fossil Power Plants (coal, gas, oil)

SIZES



tork

valve & automation

HEAD OFFICE Bostancı Yolu Cad, Kuru Sok, No16 Y. Dudullu, 34776 Ümraniye / İstanbul - TÜRKİYE

FACTORY Çerkeşli OSB Mah. İmes 2. Cad. No.5 41455 Dilovası / Kocaeli - Türkiye

SMS SANAYİ MALZEMELERİ ÜRETİM VE SATIŞI A.Ş.

T +90 216 364 34 05 **F** +90 216 364 37 57

T +90 262 290 20 20 **F** +90 262 290 20 21

[f/SMSTORK](#) [in/sms-tork](#) www.smstork.com