

Electric Actuators

REA40 and REA60 Electric Actuator Standard Features

General Features

- Specifically designed for ball valve, butterfly valve and dampers control.
- Small, light and compact design, with high torque output, different control options
- Corrosion resistant polyester painted body
- Various output torque value from 40 Nm to 60 Nm
- Water and dust insulation with O-ring structure IP67
- ISO5211 standard and easy mounting
- Hand control unit
- Standard 4 pieces limit switches
- Space heater with thermostat for preventing overheat (On REA60 models)
- Valve position indicators
- Long lasting

Optional Features

- Proportional card PCU is suitable for REA60 models.
- 220 V AC/ 110 V AC: Suitable for all REA actuator series.
- 24 V DC/ 24 V AC: Suitable for REA 40, 60, 80, 150, 200, 300 series.
- Working Rate: S2: % 100 max. 30 min.; S4: % 70 1600 hour
- Thanks to its battery, system can be controlled like a spring return: Suitable for REA 80, 150, 200, 300 series.
- Working Rate: S4 %70 max. 30 min. 1600 start/hour
- Smart type control unit SICU (semi integral control unit), ICU (intelligent dijital control unit): REA 150 and upper series
- IP68 Staying under water (10 m) 72 hour

On-Off and Proportional Electric Actuator

Body	: Aluminium injection, electrostatic polyester coated
Torque Output Value	: 40 Nm ... 60 Nm
Body Enclosure	: Weatherproof, IP67, Inside the body there is a heater (2watt) against moisture.
Handle Control Unit	: It is under the actuator body and makes opening/closing.
Supply Voltage	: 220 V AC, (on request 110 V AC, 24 V DC)
Open Close Time	: 12 .. 14 sn (50 .. 60Hz, 90' turn)
Motor	: Reversible motor, it can rotate in two directions.
Limit Switches	: 2x Open/Close SPDT, Max 250VAC 3A
Auxiliary Limit Switches	: 2x Open/Close SPDT, Max 250VAC 3A
Environment Temperature	: -20 °C ... 70 °C
Cable Connection Entrance	: 2 pieces PG 13,5 coupling
Valve Connection Flange	: ISO5211 standard F03/F05/F07
Optional	: Proportional control unit 4-20 mA , 2-10 VDC, 1-5 VDC input-output signals, output signal on



REA 40



El Kontrol Ünitesi



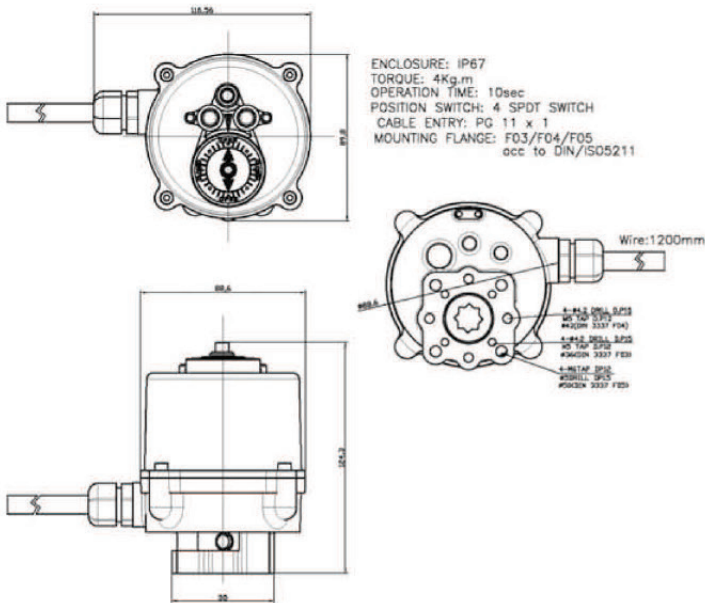
On-Off Elektrik Aktüatör



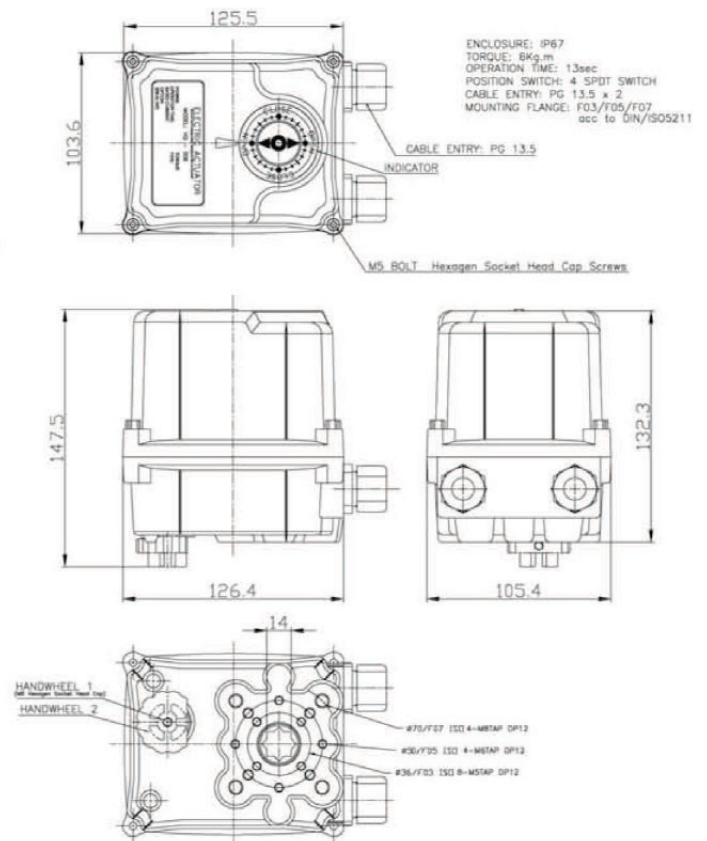
REA 60

Electric Actuators

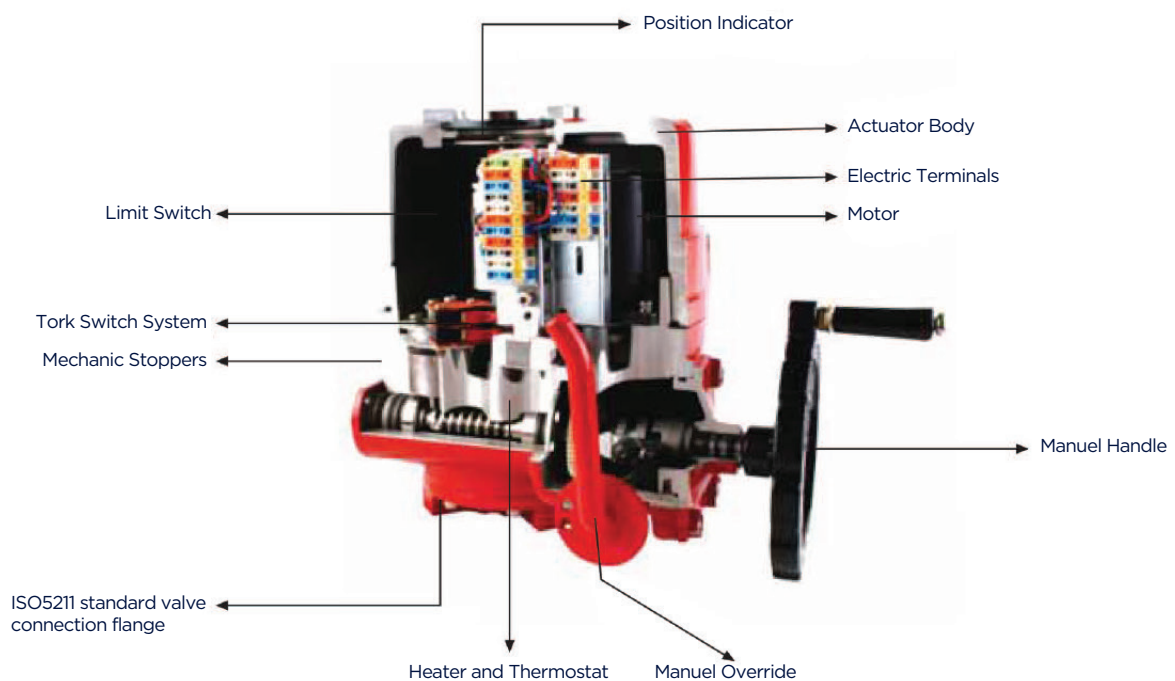
REA 40



REA 460



REA80 ... REA3000 Serie



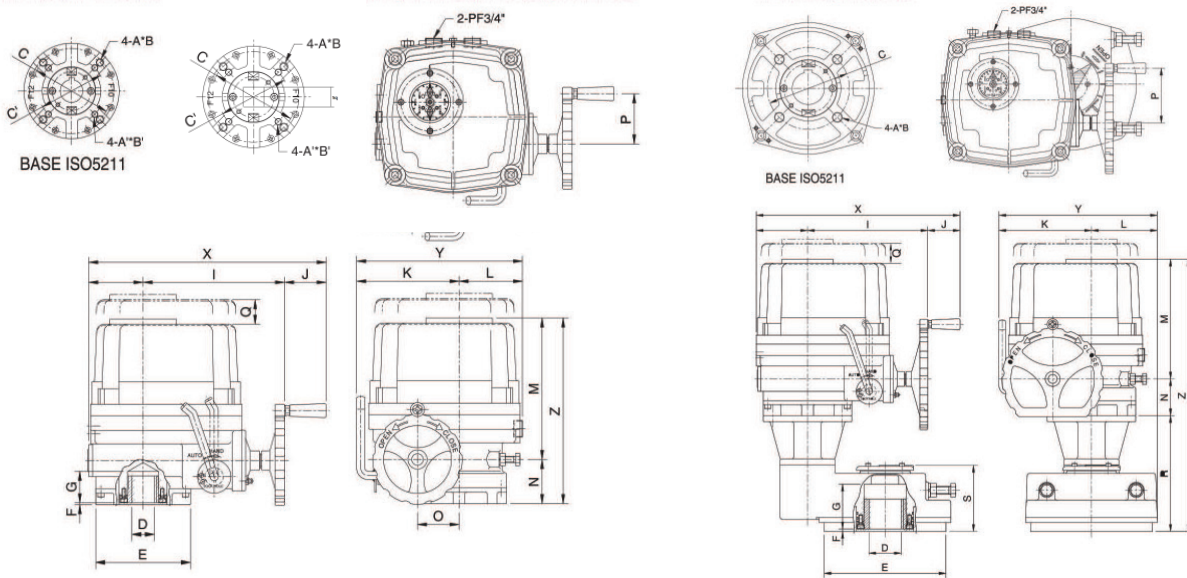
Electric Actuators

REA80 and REA3000 Electric Actuator Standard Feature:

- Body** : Aluminium injection, electrostatik polyester dyed
- Torque Output Value** : 80 Nm ... 3000 Nm
- Body Enclosure** : Weatherproof, IP67, NEMA4, and NEMA6,
There is a heater (10 watt) against humidity inside the body. Optional IP68
- Handle Control Unit** : Delatching mechanism located outside the body,
(locking gear lever, gearbox)
- Working Voltage** : 220V AC, (on request 110 V AC and 380V,
440V AC 3 phase)
- Open Close Time** : 13 ... 112 sec varies by model (50 .. 60Hz, 900 turn)
- Motor** : Reversible motor, it can rotate in two directions.
- Limit Switches** : 2x Open/Close SPDT, Max 250VAC 10A
- Auxiliary Limit Switches** : 2x Open/Close SPDT, Max 250VAC 10A
- Torque Switch** : All for opening and closing (Except REA.80).
- Local Indicator** : It is under the glass housing on the actuator. Standard.
- Mechanic Stopper** : Two pieces
- Ambient Humidity** : %90 RH Max. (non- condensing)
- Ambient Temperature** : -20 °C ... 70 °C
- Cable Connection Entrance** : 2 pieces PG 13,5 coupling
- Valve Connection Flange** : ISO5211 standard F07... F16



On-Off and Proportional Electric Actuator is provided by adding Proportional card PCU.



Model	Basel ISO5211		D	SQ	E	F	G	H	I	J	K	L	M	N	O	P	R	S	X	Y	Z
	Ø C	A B																			
REA 80	F07	M8	20	14	88	3	32	50	157	51	100	70	182	53	40	60	-	-	258	170	235
	Ø70	12																			
REA 150	F07/F10	M8/M10	22	17	125	3	42	73	200	65	142	87	200	68	54	78	-	-	338	229	268
	Ø70/Ø102	12/15																			
REA200	F07/F10	M8/M10	22	22	125	3	42	73	200	65	142	87	200	68	54	78	-	-	338	229	268
	Ø70/Ø102	12/15																			
REA 300	F10/F12	M10/M12	35	27	148	3	49	82	221	65	160	99	221	69	65	78	-	-	368	259	290
	Ø102/Ø125	15/18																			
REA 600	F10/F12	M12/M12	35	27	148	3	49	82	221	65	160	99	235	69	65	78	-	-	368	259	304
	Ø102/Ø125	15/18																			
REA 800	F12/F14	M12/M16	45	36	178	3	57	103	242	65	186	111	256	74	78	110	-	-	410	297	330
	Ø125/Ø140	18/24																			
REA 1200	F12/F14	M12/M16	45	-	178	3	57	103	242	65	186	111	256	74	78	110	-	-	410	297	330
	Ø125/Ø140	18/24																			
REA 2000	F14/F16	M16/M20	65	-	245	5	245	103	242	65	186	133	256	74	78	110	233	133	410	319	583
	Ø140/Ø165	24/30																			
REA 3000	F14/F16	M16/M20	65	-	245	5	90	103	242	65	186	133	256	74	78	110	233	133	410	319	563
	Ø140/Ø165	24/30																			

Electric Actuators

Battery Operated Electric Actuator Standard Features (REA B Serie)

- Battery operated electric actuators developed for applications requiring safety.
- Act as spring return actuator.
- In an emergency or power failure situation, valve can be operated 5 times on-off.
- For REA 80 ... REA 3000 serie

Body	: Aluminium injection, electrostatic polyester dyed
Torque Output Value	: 80 Nm ... 3000 Nm
Enclosure	: Weatherproof, IP67, NEMA4, ve NEMA6 There is a heater (10 watt) against humidity inside the body
Handle Control Unit	: Delatching mechanism located on the actuator, (kilitlemeli vites kolu, dişli kutulu)
Working Voltage	: 220V AC, (on request 110 V AC and 380V, 440V AC 3 phase)
Open Close Time	: 13 ... 112 sec varies by model (50 .. 60Hz, 900 turn)
Motor	: Reversible motor, it can rotate in two directions.
Limit Switch	: 2 pieces.T.K.Ç.Y limit switches, 250V AC, 16A (on request 2 pieces additional switch)
Torque Switch	: All for open and close (Except REA 80).
Local Indicator	: It is under the glass housing on the actuator. Standard.
Mechanic Stopper	: Two pieces
Ambient Humidity	: %90 RH Max.(non- condensing)
Ambient Temperature	: -20 °C ... 70 °C
Cable Connection Entrance	: 2 pieces PG 13,5 coupling



Local Control Unit Electric Actuator (LCU-B Serie)

- Applied REA 150 ... REA 3000 series.
- 110 V AC/ 220 V AC monophase application
- 220 V AC/ 460 V AC three-phase application
- Phase protection and indication against incorrect connection
- Operating light, power control, error, open - closed position signals are monitored on the LCU-B panel on the actuator and this information can be transmitted to the control unit with a cable.

Body	: Aluminium, injection, electrostatic polyester dyed.
Enclosure	: Weatherproof, IP67, NEMA4, and NEMA6. There is a heater (10 watt) against humidity inside the body.
Handle Control Unit	: Delatching mechanism located on the actuator, (locking gear lever, gearbox)
Working Voltage	: 220V AC, (on request 110 V AC and 380V, 440V AC 3 phase)
Open Close Time	: 13 ... 112 sec varies by model (50 .. 60Hz, 900 turn)
Motor	: Reversible motor, it can rotate in two directions.
Limit Switch	: 2 pieces.T.K.Ç.Y limit switched, 250V AC, 16A (on request 2 pieces. additional switch)
Torque Switch	: All for open and close



Lineer Elektrik Aktüatörler (Glob vanalar için)

Body	: Aluminium injection, electrostatic polyester dyed
Enclosure	: Weatherproof, IP67, NEMA4, and NEMA6. There is a heater (10 watt) against humidity inside the body.
Hand Control Unit	: Delatching mechanism located on the actuator, (locking gear lever, gearbox)
Working Voltage	: 220V AC, (on request 110 V AC ve 380V, 440V AC 3 phase)

Model	Shaft Speed (mm/sec)	Power Value	Max. Stork (mm)
LEA 50	0.44/0.53	5 KN	60
LEA 70	0.44/0.53	7 KN	60
LEA 100	0.69/0.82	10 KN	70
LEA 120	0.69/0.82	12 KN	70
LEA 150	0.69/0.82	15 KN	80
LEA 180	0.69/0.83	18 KN	100
LEA 200	0.69/0.83	20 KN	100
LEA 250	0.69/0.83	25 KN	100



Electric Actuators

Dijital Local Control Unit (LCU-C Serie)

- For REA 150 ... REA 3000 serie
- 220 V AC / 460 V AC three-phase application
- Light, compact and integrated design
- The cable entry terminal can be moved outside the actuator.
- Resistant to water, vibration and temperature.
- RS485 communication connection feature
- Automatic phase distributor feature
- Operating panel, power control, error, open and closed position signals are displayed on the panel and this information is transmitted to the control unit via a cable and transmitted to the computer via RS485 connection feature.

Body	: Aluminium injection, electrostatic polyester dyed
Enclosure	: Weatherproof, IP67, NEMA4, ve NEMA6, There is a heater (10 watt) against humidity inside the body.
Hand Control Unit	: Delatching mechanism located on the actuator, (locking gear lever, gearbox)
Working Voltage	: 220V AC, (istek üzere 110 V AC ve 380V, 440V AC 3 phase)
Open Close Time	: 12 ... 37 sec (50 .. 60Hz, 900 phase)
Motor	: Reversible motor, it can rotate in two directions.
Limit Switch	: 2 pieces.T.K.Ç.Y limit switches, 250V AC, 10A (On request 2 pieces additional switch)
Tork Switch	: All for open and close (Except REA.80)



Electric Actuator Stainless Steel Ball Valves (EAV 903 / 904 Serie)

Electric Actuator Features

Control	: On-off (optional; proportional)
Working Voltage	: 220V AC, 50Hz (optional 110 V AC, 24 V DC)
Open Close Time	: 13/14 sn
Output Torque Value	: 40 Nm, 60 Nm
Enclosure	: IP67
Ambient Temperature	: -20 °C ... 70 °C
Optional	: Local control unit can be added, potentiometer can be added, position transmitter can be added, proportional unit can be added.

Ball Valve Features

Body	: Full bore, AISI 316 stainless steel, three pieces
Ways	: Two-way / three-way is installed in any position and gives flow passage in two directions.
O-ring	: Ball is PTFE and neck o-ring is (two pieces) PTFE
Pressure	: It is designed for low pressure and high pressure.
Working Temperature	: -20 °C ... 180 °C
Working Pressure	: PN 40 bar (1/2" .. 1 1/4"), 16 bar (1 1/2" ... 3")
Test	: All valves are tested at 20 bar for 48 hours.
Special Request	: Two-piece ball valve available on request.



S9190 Serie (Electric motorized Zone valve, (2/2 way, 3/2 way))

Application Area	: Heating, cooling, Water treatment systems,
Size	: 1/2", 3/4", 1", 1 1/2"
Body	: Stainless Steel
Way	: 2 way, 3 way
Temperature	: -20 °C ... 80 °C water, hot water
Working Voltage	: 24 V DC and AC, 220V AC on request 5V, 12V, 110V AC/DC
Open Close Time	: 5 -7 sec.

