



## ELECTRIC ACTUATORS

ball valves, butterfly valves and  
damperlerin on-off veya oransal kontrolü



## Electric Actuators

### TREA60 and TREA80 Electric Actuator Standard Features

#### General Features

- Specifically designed for ball valve, butterfly valve and dampers control.
- Electrostatic powder coated aluminium body
- IP68 or ATEX options
- Easy installation (ISO5211 standard)
- Manual control with handwheel
- 2 pieces output limit switches
- Automatic exit from manual mode with motor energization
- 2 Watt interior heater
- Valve position indicator
- Long lasting
- Working Rate: S2: % 100 max. 30 min. (110 Volt or 230 Volt AC Motor)  
S4: %70, 1000 Start/Hour (24 Volt DC Motor)

#### Optional Features

- Proportional flow control with PCU card
- On Open/Close models 230 VAC or 24 VDC supply voltage  
on propotional models 85-265 VAC or 24 VDC supply voltage
- IP 68 (10mt 72 hour)
- ATEX (Zone 1, Zone 2)

#### On-Off and Proportional Electric Actuator

- Body** : Aluminium injection, electrostatic powder coated  
If ATEX, TEXN829 E/P BRIGHT Black Special Painted
- Torque Output Value** : 60 Nm and 80 Nm
- Body Enclosure** : IP67  
IP68 (10 m (10 m depth 72 hour)  
Suitable for ATEX (Ex II 2G Ex IIC T4 Gb) ZONE 1 and
- Handle Control Unit** : On actuator body and for open / close.
- Supply Voltage** : 230 V AC or 24 V DC
- Open Close Time** : 14- 16 sec
- Motor** : AC Reversible motor or DC brushed motor
- Limit Switches** : 2x Open/Close SPDT, Max 250VAC 5A
- Auxiliary Limit Switches** : 2x Open/Close SPDT, Max 250VAC 5A
- Environment Temperature** : -20 °C ... 60 °C
- Cable Connection Entrance**: M20x1.5 Coupling
- Valve Connection Flange** : F03/F05/F07 (ISO5211)
- Optional** : 0/4-20 mA, 0/2-10 mA, 0/1-5 VDC ve 0/2-10 VDC control or proportional control with feedback signals
- Valve output shaft material** : Delta protect coated manufacturing steel as standart; on request stainless steel



TREA 60

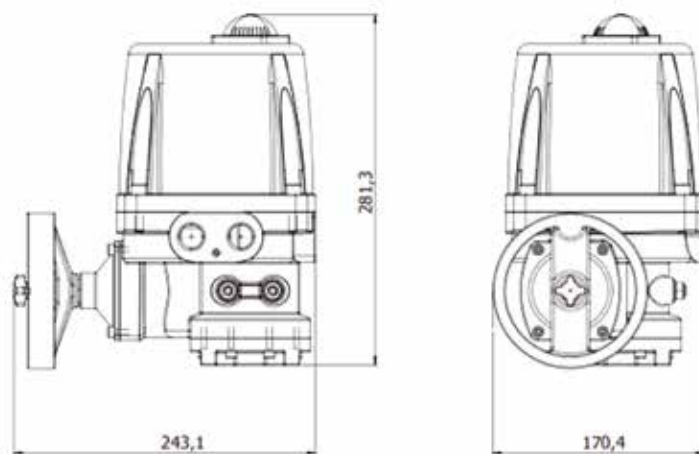


Valve Type/ Order No	Type	Supply Voltage	TORK Value (Nm)	Power consumption (Watt)	Current (Amper)	Weight (kg)
TREA0060	"On-Off / Proportional"	24 VDC	60	84	3,5	7,2
TREA0060	"On-Off / Proportional"	230 VAC 50/60Hz	60	69	0,3	7,2
TREA0080	"On-Off / Proportional"	24 VDC	80	89	3,7	7,2
TREA0080	"On-Off / Proportional"	230 VAC 50/60Hz	80	108	0,47	7,2

## Electric Actuators



### Sizes



### Product and Pieces Pictures

