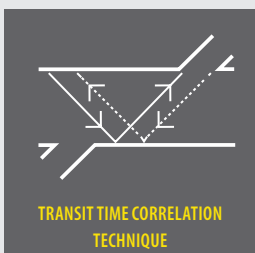


S462

Compact Ultrasonic Flow Meter for Liquids (Clamp-On)



Compact Ultrasonic Flow Meter for Liquids (Clamp-On) — measures water and other liquids throughout the facility



S462 FEATURES



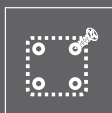
CLAMP ON
No contact
to medium



**LOCAL
DISPLAY**
For easy
configuration
and live values



**TRANSIT TIME
CORRELATION
TECHNIQUE**



STATIONARY
Connectable to
S330 / S331 series



PORTABLE
Connectable
to S551

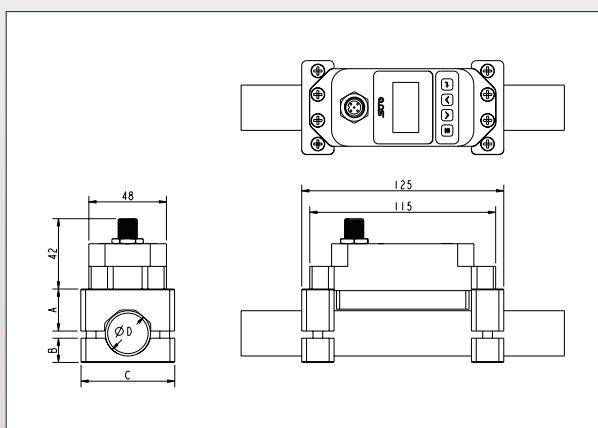


**COMPACT
DESIGN**
Can be installed
anywhere

S462 FEATURES AT A GLANCE

- Clamp on type, very easy installation
- No moving parts
- Can be installed on stainless steel pipe, carbon steel pipe, copper pipe or plastic pipe such as (PVC, PVDF, PPR, PPH, HDPE, etc.)
- Clean fluid measurements: water, sea water, others on request
- Available pipe sizes: DN20, DN25, DN32, DN40

S462 DIMENSIONS



S462 BENEFITS

The S462 ultrasonic clamp on flow meter for liquids uses the proven transit-time correlation technique. The unit is simply clamped onto the pipe and will never come in contact with the fluid.

Available in pipe sizes from DN20 ... DN40 the S462 impresses with ease of installation and accurate flow readings. It comes with Modbus/RTU interface and 4 ... 20 mA output, which makes it easy connectable to any facility monitoring system.

Of course S462 clamp on ultrasonic flow meter also works with the SUTO displays and data loggers S330/331 and S551.

Model size	A (mm)	B (mm)	C (mm)	D (mm)	
				min	max
DN20	26.5	15	58	25	28
DN25	30	18	58	32	35
DN32	33	22.5	68	38	45
DN40	38	27	78	48	54

S462 TECHNICAL DATA

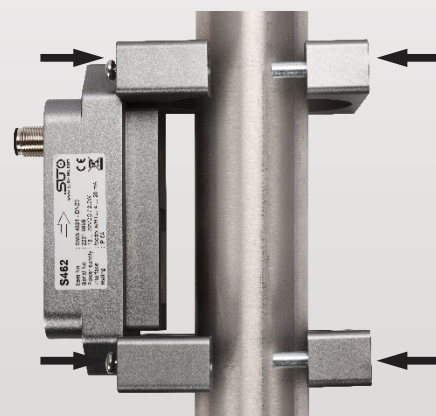
Measurement	
Flow	
Accuracy	1.5 % o.RDG + 0.2 % FS (0.5... 5.0 m/s)
Measuring range	0.05 ... 5.0 m/s
Selectable units	m ³ /h, l/min, GAL
Measuring range	see table next page
Repeatability	0.80 % o.RDG
Sensor	Piezzo ultrasonic transducer
Sampling rate	3/sec
Turndown ratio	10:1
Response time (t90)	<2 sec
Consumption	
Selectable units	m ³ , liter, GAL
Signal / Interface & Supply	
Analog output	
Signal	4 ... 20 mA
Scaling	0 ... max flow / adjustable
Load	<600R
Update rate	3/sec
Fieldbus	
Protocol	Modbus/RTU
Supply	
Voltage supply	20 ... 28 VDC
Current consumption	100 mA @ 24 VDC
General data	
Configuration	
Settings	via integrated keyboard
Display	
Integrated	OLED, 128 x 64 pixel (31 x 16 mm)
Data Logger	
Totalizer	Daily, monthly, yearly consumption
Material	
Housing	Aluminum alloy
Sensor	PEI
Display cover	PMMA
Key pad	F150
Miscellaneous	
Dimensions	see dimension drawing
Electrical connection	1 x M12 (5 pole)
Protection class	IP65
Approvals	CE, RoHS, FCC
Weight	0.47 ... 0.60 kg (depends on model)



S462 Main unit



Placing the couplant pads before installation on the transducer surface



Easy clamp-on installation through mounting brackets

Operating conditions	
Medium	Water, sea water, others on request
Medium quality	No solid particles, no air bubbles
Pipe material	Carbon steel, stainless steel, copper, PVC, PP, PU
Medium temperature	0 ... 50 °C
Ambient temperature	0 ... 50 °C
Ambient humidity	< 95 % rH
Storage temperature	-30 ... 70 °C
Transport temperature	-30 ... 70 °C
Pipe sizes	DN20, DN25, DN32, DN40

Model Depending Technical Data					
Model		DN20	DN25	DN32	DN40
Pipe size	Pipe OD (mm)	25 ... 28	32 ... 35	38 ... 45	48 ... 54
	Pipe ID (mm)	20	25	32	40
	NPS	3/4"	1"	1¼"	1½"
Flow Range	Min flow (l/min)	0.94	1.47	2.41	3.77
	Max flow (l/min)	94.2	147.2	241.2	377.0

S462 ORDERING

Please use the following table to assist in placing your order with our sales staff.



Visit our website or e-mail us:
www.suto-itec.com
sales@suto-itec.com

S462 Compact Ultrasonic Flow Meter For Liquids (Clamp-On)	
Order No.	Description
S695 4621	S462 Clamp On Ultrasonic Flow meter, DN20 , including 2m cable and 4 couplant pads
S695 4622	S462 Clamp On Ultrasonic Flow meter, DN25 , including 2m cable and 4 couplant pads
S695 4623	S462 Clamp On Ultrasonic Flow meter, DN32 , including 2m cable and 4 couplant pads
S695 4624	S462 Clamp On Ultrasonic Flow meter, DN40 , including 2m cable and 4 couplant pads
Accessories	
A695 4620	Couplant pad, 4 pieces, 0 ... +80 °C
A554 0129	Transport casing S462 , can hold 4 units, battery pack, 2 m cable, 5 m cable, cal cert, IM, dimensions: 465 x 365 x 185 mm
A554 0107	Plug-in power supply, 100 ... 240 VAC / 24 VDC, 0.5 A , 2 m cable M12 connector. Recommended for portable unit
A553 0156	Cable to connect external power bank, 1.8 m, USB-C connector for power bank, M12 connector 90 degree for S462
R200 4620	Calibration S462
A4615	Sensor cable length extension (please inquire)
A554 3310	RS-485 splitter T, with 3 x M12 connectors to connect RS-485 devices to a bus



Portable set in transport casing. Can hold up to 4 units with battery pack, cables, charger and documentation



S462 powered by external power bank with connection cable
 Note: Power bank must be sourced locally due to shipping restrictions
 [USB-C, 20 V, min. 80 mA]



Vertical installation on a water pipe