



Zertifiziertes  
QM-System  
DIN EN ISO 9001  
Zertifikat-Nr. 01017

## Electronic Pressure Switch



measuring  
•  
monitoring  
•  
analysing

PDD



PDD-15

PDD-25

PDD-55

PDD-75

- Measuring range:  
-1... 0 to 0 ...400 bar
- Temperature:  
max. 80°C
- Accuracy:  
±0.5% of full scale (±1.0% of full scale)
- Housing material:  
Stainless Steel
- Connection:  
G ¼, G ½,  
¼" NPT or ½" NPT



KOBOLD companies worldwide:

ARGENTINA, AUSTRIA, BELGIUM, BULGARIA, CANADA, CHILE, CHINA, COLUMBIA, CZECHIA, DOMINICAN REPUBLIC, EGYPT, FRANCE, GERMANY, GREAT BRITAIN, HUNGARY, INDIA, INDONESIA, ITALY, MALAYSIA, MEXICO, NETHERLANDS, PERU, POLAND, ROMANIA, SINGAPORE, SOUTH KOREA, SPAIN, SWITZERLAND, TAIWAN, THAILAND, TUNISIA, USA, VIETNAM

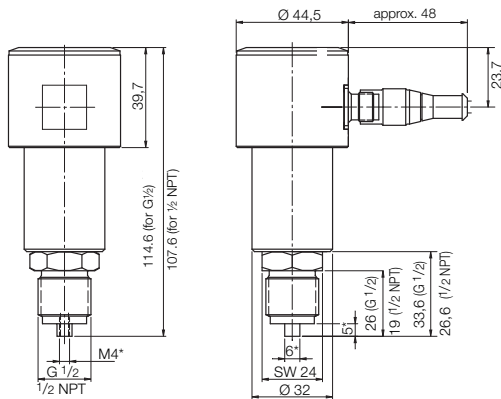
KOBOLD Messring GmbH  
Nordring 22-24  
D-65719 Hofheim/Ts.  
Head Office:  
+49(0)6192 299-0  
+49(0)6192 23398  
info.de@kobold.com  
www.kobold.com



**Description**

KOBOLD pressure sensors/switches series PDD are cost effective electronic pressure switches with digital indication of actual pressure. Two switch points, on /off-switch delay and hysteresis are within the measuring range programmable. A piezzo resistive ceramic sensor is used. The units can be used where high switching accuracy is needed. Long term stability, repeatability and the compact and robust design makes them ideal for use in OEM applications.

**Dimensions**



\*No nipple on NPT thread  
(dimensions G $\frac{1}{4}$  male on request)

**Applications**

- Compressors
- Installations
- Machinery industry
- Pumps

**Order details** (Example: PDD-15 3 R2 C315)

Model	Description	Output	Electrical connection	Mechanical connection	Measuring range [bar]	Measuring range [PSI]
PDD-	Electronic pressure switch made of stainless steel	<b>15</b> = 1x PNP-switching output <b>25</b> = 1x NPN-switching output <b>55</b> = 2x PNP-switching output <b>75</b> = 2x NPN-switching output	3 = plug M12x1	<b>R2</b> = G $\frac{1}{4}$ <b>R4</b> = G $\frac{1}{2}$ <b>N2</b> = $\frac{1}{4}$ " NPT <b>N4</b> = $\frac{1}{2}$ " NPT	<b>C315</b> = -1 - 0	<b>H315</b> = -30 - 0 in Hg
					<b>B025</b> = 0 - 1	<b>P025</b> = 0 - 15
					<b>B035</b> = 0 - 1,6	<b>P045</b> = 0 - 30
					<b>B045</b> = 0 - 2,5	<b>P055</b> = 0 - 50
					<b>B055</b> = 0 - 4	<b>P065</b> = 0 - 100
					<b>B065</b> = 0 - 6	<b>P075</b> = 0 - 150
					<b>B075</b> = 0 - 10	<b>P085</b> = 0 - 200
					<b>B085</b> = 0 - 16	<b>P095</b> = 0 - 350
					<b>A095</b> = 0 - 25	<b>P105</b> = 0 - 600
					<b>A105</b> = 0 - 40	<b>P115</b> = 0 - 1000
					<b>A115</b> = 0 - 60	<b>P125</b> = 0 - 1450
					<b>A125</b> = 0 - 100	<b>P135</b> = 0 - 3200
					<b>A135</b> = 0 - 160	<b>P145</b> = 0 - 3600
					<b>A145</b> = 0 - 250	<b>P155</b> = 0 - 5800
					<b>A155</b> = 0 - 400	<b>YYYY</b> = Special

**Additional: Electrical connection**

Description	Model
M12x1 socket with 2 m cable	ZUB-KAB-12K002
M12x1 socket with Quickon-plug	ZUB-KAB-12Q000

**Technical Details**

Housing: stainless steel 1.4305  
 Anschlüsse: G  $\frac{1}{4}$  or G  $\frac{1}{2}$  male stainless steel 1.4404 option  $\frac{1}{4}$ " or  $\frac{1}{2}$ " NPT others on request  
 Gasket: FPM (Option: EPDM)  
 Sensor element: piezzo resistive ceramic cell  
 Indication: 3-digit LED, height 7 mm  
 Resolution: max. 0,01 bar (depending on measuring range and measured value)  
 Max. temperature: media: -20...+80°C ambient: -20...+80°C  
 Max. over pressure: up to 60 bar: 3 times from 100 bar: 2 times of the range 400 bar: 1.5 times of the range  
 Supply voltage: 24 V<sub>DC</sub>  $\pm$  20 %  
 Power consumption: approx. 100 mA (without switching output)  
 Electr. connection: plug M12x1  
 Switching output: PNP or NPN semiconductor (factory set), max. 300 mA, short-circuit proof  
 Contact: N/O or N/C, programmable  
 Switch point adjustment: programmable via 2 buttons  
 Output indicator: 1 LED  
 Hysteresis: adjustable via 2 buttons  
 ON/OFF-switching delay: 0.5 ... 99.5 s (separately adjustable)  
 Response time: 0.5 s  
 Accuracy:  $\pm$ 0.5 % of f. s. ( $\pm$ 1.0 % of f. s. for measuring range:  $\leq$  1.6 bar)  
 Protection: IP 65