



Rotating-Vane Flow Indicator for liquids



measuring
•
monitoring
•
analysing

DIG



- Indication range:
0.5 - 12 ... 3 - 80 l/min water
- p_{\max} : 16 bar; t_{\max} : 80 °C
- Housing materials:
brass, stainless steel, PP

96



KOBOLD companies worldwide:

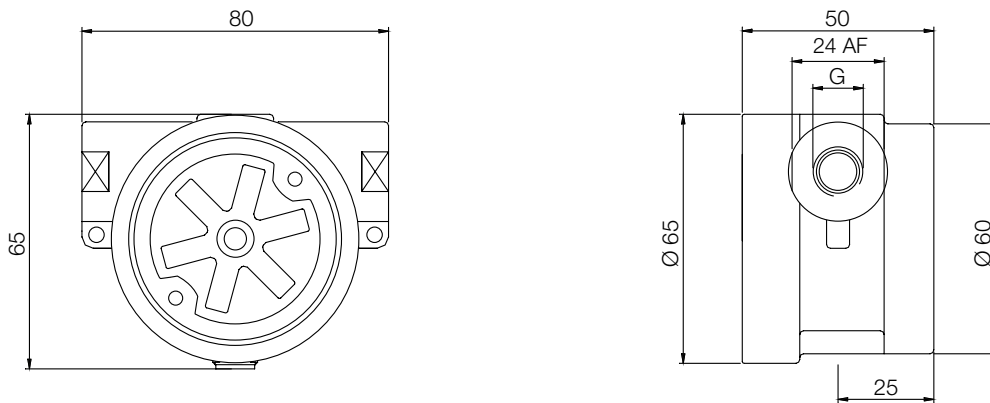
ARGENTINA, AUSTRALIA, AUSTRIA, BELGIUM, BULGARIA, CANADA, CHILE, CHINA, COLOMBIA, CZECHIA, EGYPT, FRANCE, GERMANY, GREAT BRITAIN, HUNGARY, INDIA, INDONESIA, ITALY, MALAYSIA, MEXICO, NETHERLANDS, PERU, POLAND, REPUBLIC OF KOREA, ROMANIA, SINGAPORE, SPAIN, SWITZERLAND, TAIWAN, THAILAND, TUNISIA, TURKEY, USA, VIETNAM

KOBOLD Messring GmbH
Nordring 22-24
D-65719 Hofheim/Ts.
Head Office:
+49(0)6192 299-0
+49(0)6192 23398
info.de@kobold.com
www.kobold.com

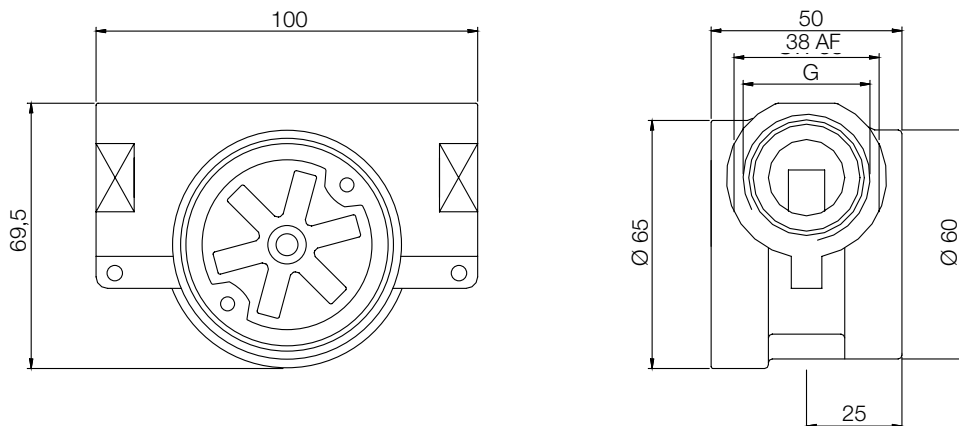
Materials	DIG-11	DIG-14	DIG-18
Housing	brass	stainless steel (1.3955)	Polypropylene
Cover	Polysulfone	Polysulfone	Polysulfone
Seal	NBR	FPM	NBR
Vane wheel	Polypropylene	Polypropylene	Polypropylene
Axle	ceramic	ceramic	ceramic
p_{max}	16 bar	16 bar	7 bar
t_{max}	80°C	80°C	80°C

Dimensions [mm]

DIG-...06, DIG-...08, DIG-...15



DIG-...20, DIG-...25



Order Details (Example: DIG-1105 R06)

Indication range		Model			Connection	
Water [l/min]	ΔP [bar]*	DIG-11...	DIG-14...	DIG-18...	Standard	Special
0.5...12	1	DIG-1105...	DIG-1405...	DIG-1805...	R06 = G 1/8 IG	N06 = 1/8" NPT
1...25		DIG-1110...	DIG-1410...	DIG-1810...	R08 = G 1/4 IG	N08 = 1/4" NPT
2...45		DIG-1120...	DIG-1420...	DIG-1820...	R15 = G 1/2 IG	N15 = 1/2" NPT
2...50		DIG-1130...	DIG-1430...	DIG-1830...	R20 = G 3/4 IG	N20 = 3/4" NPT
3...80		DIG-1135...	DIG-1435...	DIG-1835...	R25 = G 1 IG	N25 = 1" NPT

* At max. flow