

Ideal for Light Industrial Process Applications

- Keyed flange ensures proper orientation for best results
- Temperature compensation ensures optimal performance

Reduce Maintenance Costs

- Quick-disconnect cable to allow for cables to remain in place
- Flat measurement surface resists coating
- Calibrations are even faster when used with Sensorex Electronic Modules

Smart Sensor-Capable via Sensorex Electronic Modules



Specifications

Temperature / Pressure Rating	<ul style="list-style-type: none">• 60° C (140° F)• 100 psig
Temperature Compensation	See ordering matrix.
Wetted Materials	<ul style="list-style-type: none">• CPVC• Graphite• Viton®
Cell Constants	0.1cm ⁻¹ and 1.0cm ⁻¹

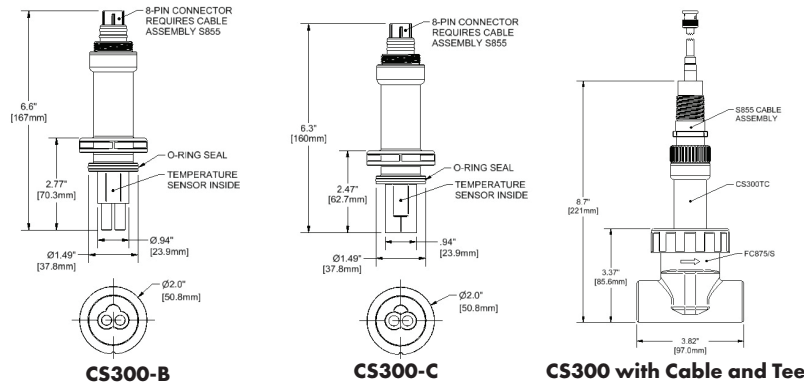
VITON® is a registered trademark of The Chemours Company.

DESIGNED IN CALIFORNIA

ASSEMBLED IN CALIFORNIA AND CZECH REPUBLIC

11751 MARKON DRIVE • GARDEN GROVE, CA 92841 • 714.895.4344 • WWW.SENSOREX.COM

© Sensorex Corporation. All rights reserved. In the interest of improving and updating its equipment, Sensorex reserves the right to alter specifications to equipment at any time.



Model # CS300 Ordering Matrix

Description

CELL CONSTANT

- 0.1/cm ●
 - 1.0/cm
 - Custom Modification (customer-specified)
- Cannot be used with Flow Cells FC875/T or FC875/S.

TEMPERATURE COMPENSATION

- PT1000 RTD
 - PT100 RTD ●
 - 10K Thermistor ●
 - 30K Thermistor ●
 - Custom Modification (customer-specified)
- Not compatible with Sensorex Electronic Module.

CABLE LENGTH

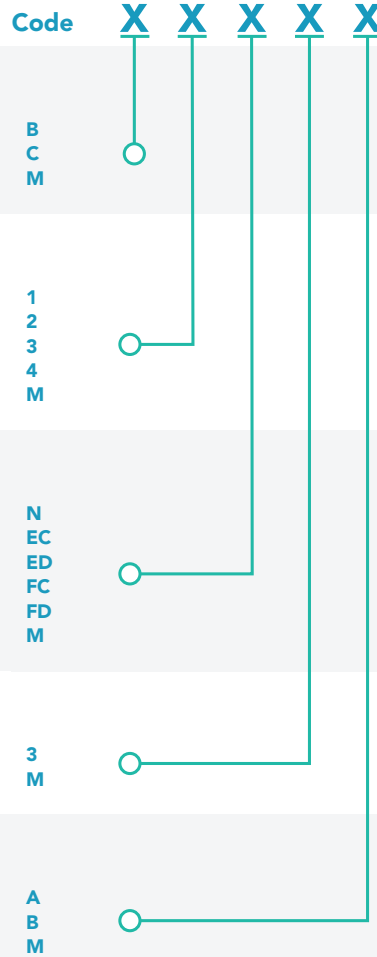
- No Selection – Replacement Sensor
 - 10 ft. (3m) S855 ●
 - 20 ft. (6m) S855 ●
 - 10 ft. (3m) S856 ●
 - 20 ft. (6m) S856 ●
 - Custom Modification (customer-specified)
- Quick-disconnect cable NOT COMPATIBLE with Sensorex Electronic Module.
- Quick-disconnect cable COMPATIBLE with Sensorex Electronic Module.

CABLE TERMINATION CONNECTOR

- Tinned Leads
- Custom Modification (customer-specified)

BRANDING

- Sensorex-Branded
- No Branding
- Custom Modification (customer-specified)



For example, choosing "0.1/cm" under Cell Constant would be **B**, "PT1000 RTD" for Temperature Compensation would be **1**, "10 feet (3m) S856" under Cable Length would be **FC**, "Tinned Leads" under Cable Termination Connector would be **3**, and "Sensorex-Branded" under Branding would be **A**. The order code would then be "**CS300 - B - 1 - FC - 3 - A**".

DESIGNED IN CALIFORNIA

ASSEMBLED IN CALIFORNIA AND CZECH REPUBLIC

11751 MARKON DRIVE • GARDEN GROVE, CA 92841 • 714.895.4344 • WWW.SENSOREX.COM

© Sensorex Corporation. All rights reserved. In the interest of improving and updating its equipment, Sensorex reserves the right to alter specifications to equipment at any time.