

Technical Data for **EPC** and **EPCD** Pressure Controllers



Alicat EPC-Series pressure controllers allow the precise control of absolute or gauge pressure. These units can be configured for vacuum pressure or back pressure control.

Tel: 888-290-6060
www.alicat.com/epc

EPCD-Series are dual valve pressure controllers that accurately and efficiently control pressure within a closed system with a minimum loss of expensive gases through the exhaust process.

Standard Specifications (Contact Alicat for available options.)

Performance	EPC & EPCD Controllers
Full scale pressure ≥ 2 inH ₂ O Standard Accuracy	$\pm 0.125\%$
Repeatability	$\pm 0.05\%$ Full Scale
Zero Shift and Span Shift	0.01% Full Scale / °Celsius
Operating Range / Turndown Ratio	0.5% to 100% Full Scale / 200:1 Turndown
Excess Pressure	102.4% FS Controllable
Burst Pressure	3 X Full Scale
Typical Response Time ¹	100 ms (Adjustable)
Warm-up Time	< 1 Second

1. Volumes, feed pressures, exhaust pressures and line sizing will determine the limits of response times.

Operating Conditions	EPC & EPCD Controllers
Gas Compatibility	Compatible with all non-corrosive gases
Operating Temperature	-10 to +60 °Celsius
Mounting Attitude Sensitivity	None
Valve Type	Normally Closed
Wetted Materials	400 Stainless Steel, 302 & 303 Stainless Steel, Viton®, Silicone RTV, Silicon, Glass, Nickel, Brass, BUNA-N. If your application demands a different material, please contact Alicat.

Communication / Power	EPC & EPCD Controllers
Digital Input / Output Signal ¹ Options	RS-232 Serial / RS-485 Serial / Modbus
Analog Input / Output Signal ² Options	0-5 Vdc / 1-5 Vdc / 0-10 Vdc / 4-20 mA
Electrical Connection Options	6 Pin Micro-Fit
Supply Voltage	12-30 Vdc (15-30 Vdc for 4-20 mA or 0-10 Vdc outputs)
Supply Current	0.250 Amp

1. The **Digital Output Signal** communicates Pressure. 2. The **Analog Output Signal** communicates Pressure

Mechanical Specifications

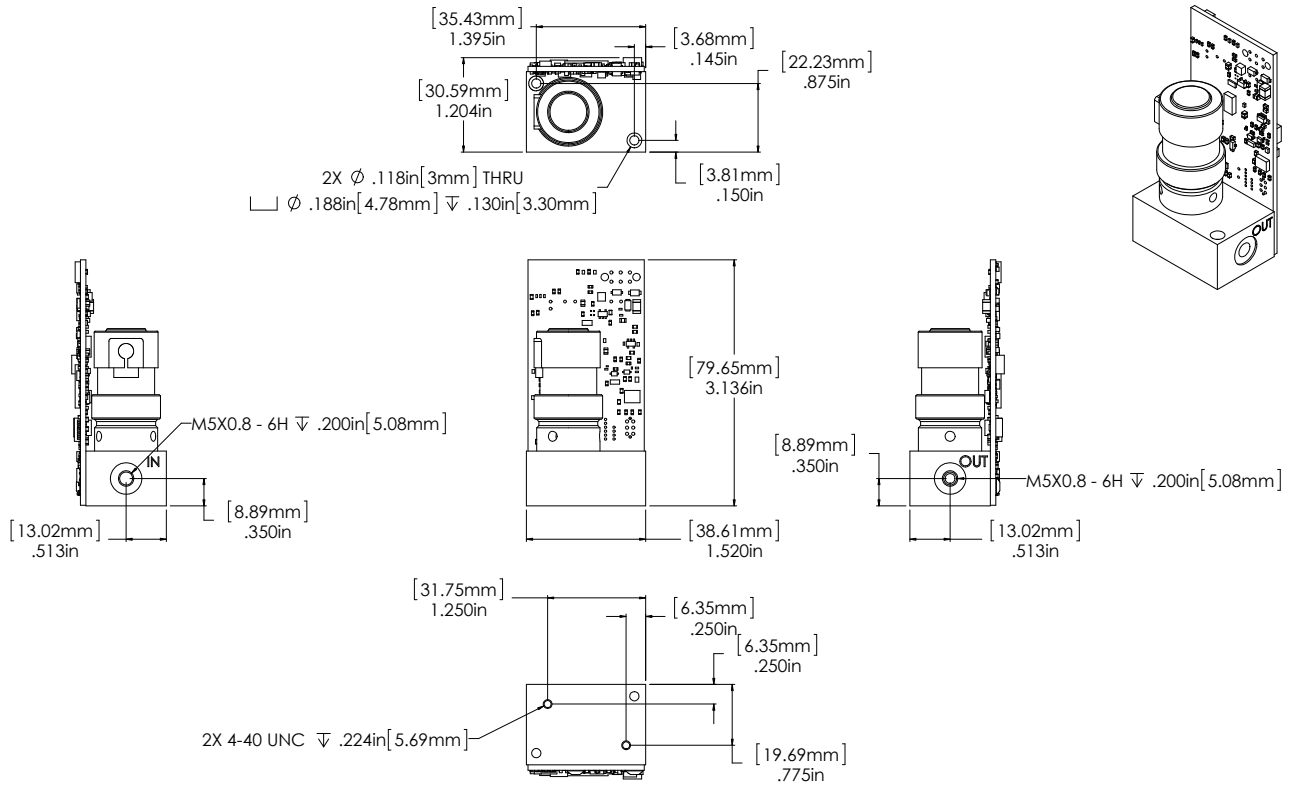
Pressure Product	Mechanical Dimensions	Process Connections
EPC Controllers	Custom	10-32 Female / 1/8" NPT Female
EPCD Controllers	Custom	10-32 Female / 1/8" NPT Female

Standard Available Ranges

EPC & EPCD Controllers		
-15 psig to 0 psig		
1 psig	2 inH ₂ O	
5 psig	4 inH ₂ O	
15 psig	10 inH ₂ O	15 psia
30 psig	20 inH ₂ O	30 psia
100 psig		100 psia
300 psig		300 psia
Custom ranges available.		

EPC-Series

All standard ranges



EPCD-Series

All standard ranges

